



KNAUFCEILING
Solutions

DATASHEET

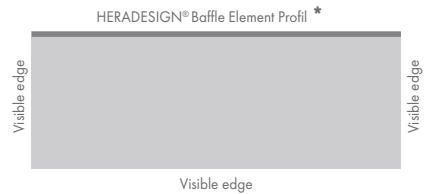
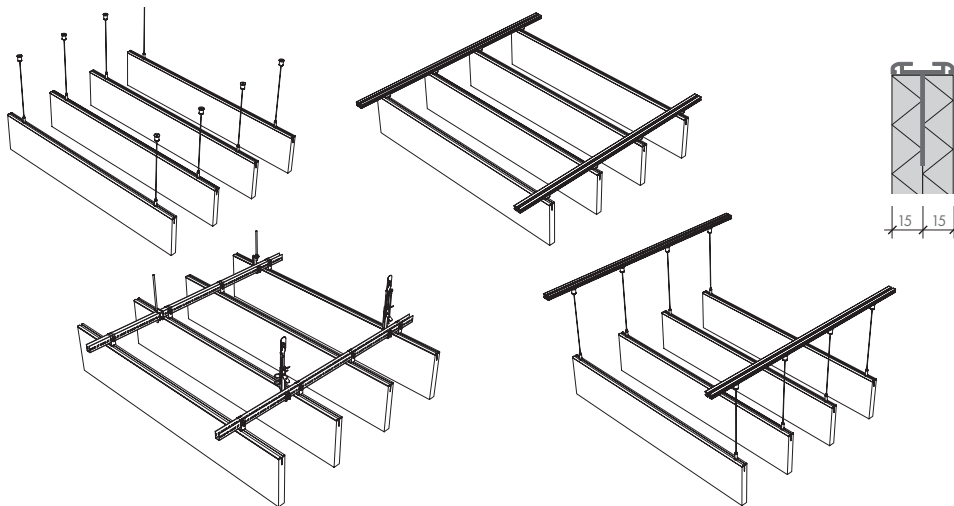
HERADESIGN® Baffle Element Profil

HERADESIGN® Baffle Element Profil is a range of high performance, wood wool acoustical Baffles, available in a variety of surfaces and dimensions.

- Baffles are available with HERADESIGN® Fine and Superfine surfaces.
- Two-layer Baffle with HERADESIGN® face sheets and anodized aluminum profile on the top side
- Available in Vario Design as well as RAL and NCS colors
- Various pre-assembled HERADESIGN® hangers can be selected for additional flexibility
- Special shapes and dimensions are available upon request



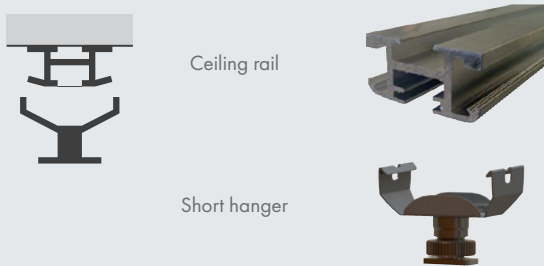
Surface		HERADESIGN® Fine, Fine A2	HERADESIGN® Superfine, Superfine A2							
Thickness (mm)		30								
Standard dimensions and weights		Format (mm)	Weight (kg/Baffle)							
			HERADESIGN® Fine	HERADESIGN® Fine A2	HERADESIGN® Superfine	HERADESIGN® Superfine A2				
		600 x 300	3.1	4.8	3.0	4.5				
		1200 x 300	6.3	9.7	6.0	8.9				
		1800 x 300	9.4	14.5	9.0	13.4				
		600 x 600	6.1	9.5	5.8	8.8				
		1200 x 600	12.2	19.0	11.6	17.6				
1800 x 600	18.3	28.5	17.4	26.4						
Additional dimensions available on request.										
System		Hanging wire kit (with/without ceiling rail) option Short hanger kit with ceiling rail option U-Profile grouping system								
Fire reaction		Euroclass B-s1,d0 and A2-s1,d0 according EN 13501-1								
Sound absorption		HERADESIGN® Baffle Element Profil Fine: α_w up to 0.55 / NRC up to 0.60 HERADESIGN® Baffle Element Profil Superfine: α_w up to 0.55 / NRC up to 0.60								
Humidity resistance		Not suitable for indoor swimming pools, underground garages and outdoor areas.								
Cleanability										
Colours		Standard colours	Vario Design colours							
		 White Similar to RAL 9010	 Beige Natural tone 13	 Granite	 Steel	 Green Marble	 Copper	 Oak	 Brass	 Sandstone
<ul style="list-style-type: none"> • Other colours from popular RAL and NCS colour systems are available. • Deviations in colour and visual appearance may occur due to the rough fibre and panel surface. 										
Sustainability										



* Two-layer Baffle with HERADESIGN® top layer and anodized aluminum profile on top

Short Hanger

Pre-assembled hanger with integrated torsion protection and easy-to-click metal clamps for suspending HERADESIGN® Baffle Element Profil from the ceiling fastening or guide rail.



- so tools required for installation
- self-fastening
- quick and simple installation at any location
- fastest possible installation thanks to easy-to-click function
- suspension height = 42.5mm (top edge of ceiling rail to top edge of Baffle)
- at least 2 hangers per Baffle
- max. working load per hanger 300 N/30 kg
- max. breaking strength per hanger 1500 N/150 kg

Short hanger for U-profiles (Grouping option)

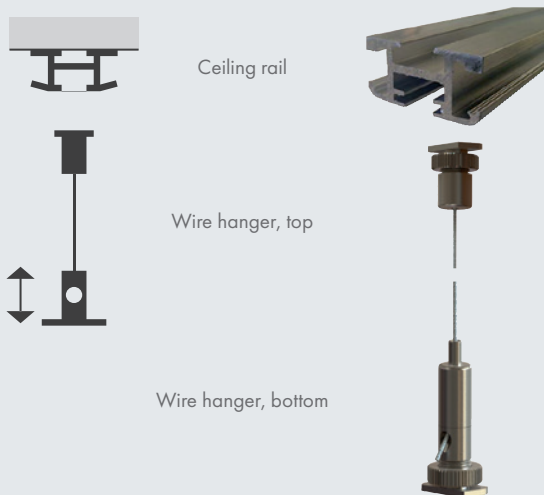
Pre-assembled hanger with integrated anti-twist device and easy-to-click metal clip for suspending HERADESIGN® Baffle Element Profil from the U-profile with plug-in clip.



- completely tool-free assembly
- self-fixing
- easy and fast installation at any place
- quickest possible installation due to the easy-to-click function
- min. 2 hangers per Baffle
- max. working load per hanger 300 N/30 kg
- max. breaking load per hanger 1500 N/150 kg

Wire Hanging Kit

Pre-assembled hanger with integrated torsion protection in hanger and Baffle base for suspending HERADESIGN® Baffle Element Profil from the ceiling fastening or guide rail.



- no tools required for installation
- precise, continuous height adjustment possible
- wire Ø 1.2mm, 7 x 7 galvanized steel, length 500mm nominal strength: 2400 N/mm²
- side wire guide
- surface of hanger and Baffle base: nickel matt
- max. suspension height = 450mm (top edge of ceiling rail to top edge of Baffle)
- at least 2 hangers per Baffle
- max. working load per hanger 160 N/16 kg
- max. breaking strength per hanger 800 N/80 kg

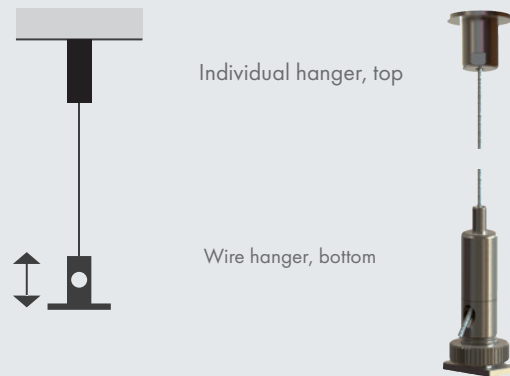
Single hanger

Pre-assembled hanger with integrated anti-twist device in the hanger and Baffle base for suspending individual HERADESIGN® Baffle Element Profil to the ceiling or to suspended ceiling systems.

The hanger tops are fixed into the ceiling either with suitable screws and dowels or by screwing them onto an M6 screw bolt.

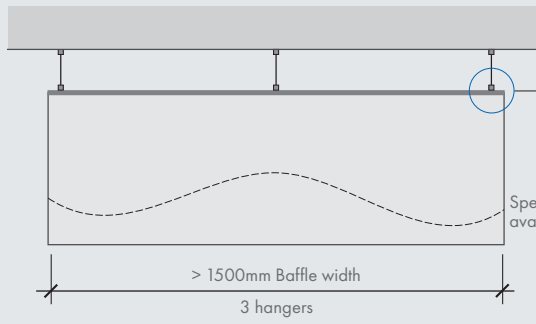
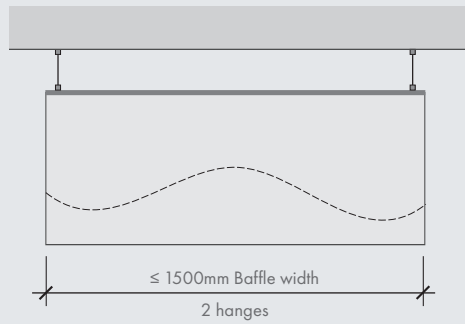
Mounting note

Fastening in the substrate must be possible with millimeter accuracy for single hangers, since the absence of the ceiling rail means that there is no horizontal adjustability.

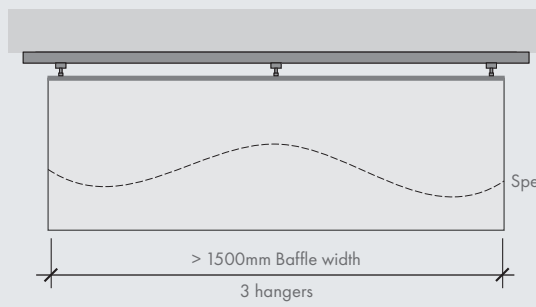
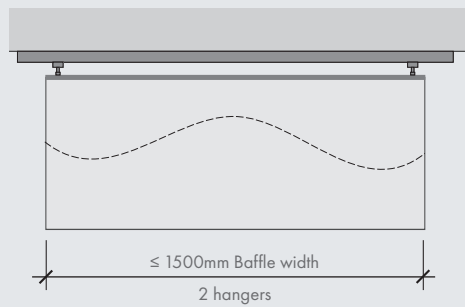
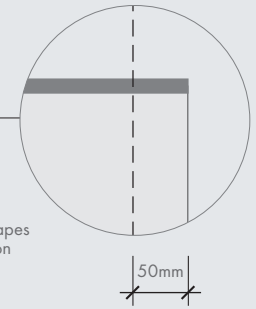


- completely tool-free assembly
- millimeter-precise and stepless height adjustment possible
- rope Ø 1.2mm, 7 x 7 steel galvanized, length 500mm nominal strength: 2400 N/mm²
- with lateral rope rejection
- surface of hanger and Baffle base: nickel matt
- max. suspension height = 450mm (top edge of ceiling rail to top edge of Baffle)
- min. 2 hangers per Baffle
- max. working load per hanger 160 N/16 kg
- max. breaking load per hanger 800 N/80 kg

Number of hangers per Baffle



Special shapes available on



Special shapes available on request