

SUSPENSION SYSTEMS

KNAUFCEILING
Solutions



CONTENTS

Environmental Sustainability	04 – 05
Grid Introduction	06 – 07
DONN	08 – 09
Datasheets	10 – 29
VENTATEC	30 – 31
Datasheets	32 – 43
SPECIAL	44 – 45
Datasheets	46 – 65
Accessories	66 – 71
DONN	66 – 69
VENTATEC	70 – 71
Trendsetting Ceiling Colour Palette	72 – 73
Definition of Technical Performance Icons	74 – 75

A woman with dark hair, wearing a bright yellow long-sleeved button-down shirt and light blue jeans, stands in the foreground. She is pointing her right index finger upwards towards a ceiling panel. The ceiling panel is divided into four distinct material sections: a light-colored mineral fiber section on the left, a dark grey perforated metal section, a dark wood-grain section, and a white fibrous wood wool section on the right. The background is a plain, light grey wall.

MINERAL

METAL

WOOD

WOOD
WOOL

Knauf Ceiling Solutions develops and manufactures modular ceiling solutions in five European countries and in Asia. As drivers of innovation, we set sustainable standards in acoustic and visual interior design and offer perfectly matching products for constantly evolving markets. Our multi-material approach has priority here. We emphasize this concept with these five product lines: Mineral Solutions, Metal Solutions and Wood & Wood Wool Solutions, as well as System Solutions and also as an integral part of precisely calibrated substructures. Future-oriented digitalization and consistent quality assurance are characteristic of our worldwide, high-performance production facilities and our close-knit logistics network. Decades of experience, continuously updated know-how, creative market-leading innovation, a distinctive service-oriented mindset and to be literally physically available to our customers are the foundations of our success. We see ceiling systems as a central element for harmoniously designed and acoustically optimized rooms that produce an atmosphere of comfort, encouraging you to stay and be more productive. With a needs-based and “real-world” proven practical product portfolio, we offer our partners greater variety and endless design possibilities. As the creative force of sustainable design and maximum functionality, our solutions give architects, planners, retailers and specialist contractors more choice, more inspiration and more support to transform interiors into unique experiences.

ENVIRONMENTAL SUSTAINABILITY

At Knauf Ceiling Solutions, we actively support environmental sustainability.

WE ACCEPT RESPONSIBILITY

As a manufacturer, Knauf Ceiling Solutions has always been aware of its responsibility to all customers and to the ever-increasing challenges that they face. Whether it may be designers, contractors, partners, etc., we are committed to a collaborative approach, throughout all phases of their projects. Although we are proud of what we have achieved so far, this is only just the beginning of our journey. Energy efficiency, performance, safety and recyclability are some of the many challenges we will have to face in the future. We accept these responsibilities as our own and will remain committed to achieving our environmental sustainability goals, in spite of the challenges ahead.



We have adopted the following practical priorities:

RAW MATERIALS

The foundations of our approach to environmental sustainability begin with our production process and the careful selection of raw materials. We manufacture our suspension system solutions using up to 25% recycled raw materials. We conserve resources wherever possible.

PRODUCTION

We are always conscious of our carbon footprint. Whether that might be through our manufacturing process, infrastructure and/or logistics. Our European manufacturing plants are continually monitored and assessed to ensure conformity to the most reputable quality and environmental standards and regulations - such as ISO 14001 and ISO 9001.



CRADLE TO CRADLE LIFE CYCLE

Our range of steel products, that are a part of our suspension solutions, are 100% recyclable, generating no waste through a 'closed-loop' production cycle. We are committed to facing today's and the future's climate challenges by encouraging innovation and continuously making improvements to our product range. In the course of meeting these challenges, we have adhered to the strict assessed standards of the Cradle to Cradle Certified® Product Program and are thrilled to have achieved Cradle to Cradle Certified® Silver.

SYSTEM SOLUTIONS / EPDS

We manufacture and supply proprietary systems, providing solutions designed with functionality and safety in mind. Our suspension system solutions are always tested and monitored to conform to the relevant standards. We aim for full transparency, through independent verification and certification of our solutions - complying with the requirements of ISO 14025 and EN 15804 for our Environmental Product Declarations (EPDs).

Knauf Sustainability goals are available on request.



DURABLE MATERIALS,
HIGH FLEXIBILITY WITH
TROUBLE-FREE INSTALLATION

GRID

The functionality and appearance of a ceiling are always just as good as the quality of the respective substructure. For these resilient materials, high flexibility of the components and easy installation are the crucial requirements. At Knauf Ceiling Solutions, our system of substructure components are the foundational element of every ceiling solution. Accordingly, to this multi-material concept, materials are perfectly matched to every imaginable design option. This comprehensive system facilitates an endless combination of possibilities with constructive freedom and high execution reliability. The results are perfect ceiling solutions for all modern building requirements.



DONN®

MORE STABILITY, HIGHER SAFETY AND FASTER INSTALLATION.

The DONN® DX® product brand has been an integral part of the Knauf Ceiling Solutions product family for many years. The DX® technology is the basis for the product's convincing properties: more stability, greater safety and faster installation. The system's characteristic golden clips, with their clearly audible "click" connection, ensure the best possible ease of installation in modular ceiling construction. DONN® is compatible with all Knauf Ceiling Solution's acoustic ceiling tiles and facilitates easy access to the ceiling cavity.

Board

Tegular 15

Tegular 24

Tegular 15/90

Tegular 24/90

Tegular 15/90S

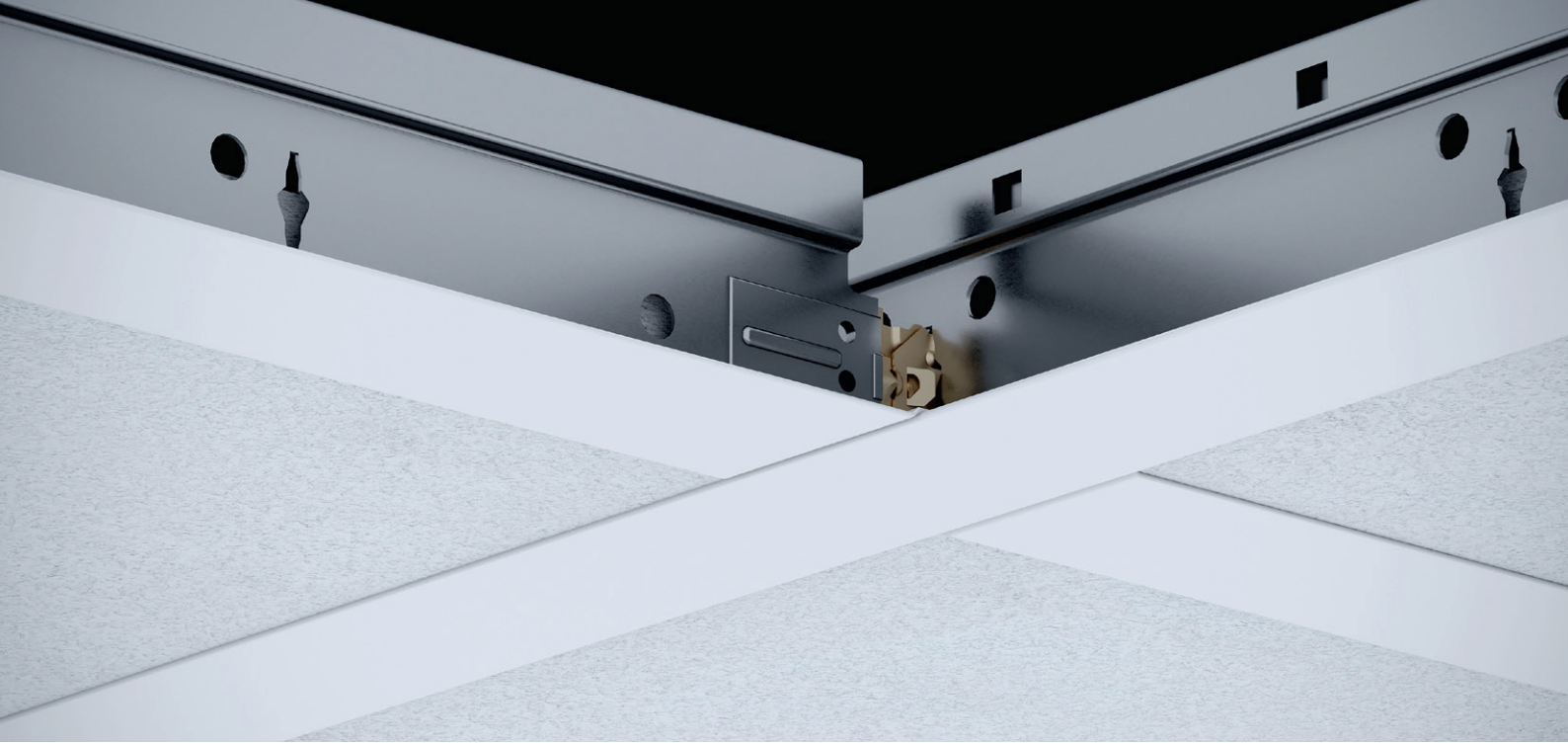
K4C4

K2C2

SL2

FINESSE

VECTOR



	DONN DX-15 GK	DONN DX-24 GK	DONN DX3-24 GK	DONN DXH-24 GK	DONN DX24 KB GK	DONN DX-35 GK	DONN DX 24 ESPACE GK	DONN DX 24 CE	DONN DP BAND-RASTER
	•	•	•	•	•	•	•	•	•
	•								•
		•	•	•	•		•	•	•
	•								•
		•	•	•	•		•	•	•
	•								
									•
									•
		•	•						

General Applications

DONN® DX15 | GK

Exposed 15 mm grid system - System C

Key features

- System with 15 mm exposed profiles for an elegant appearance
- Patented golden "Quick-Release™ Clip" for high quality grid system installation
- Clear audible click-connection, and can be removed without tools
- Joggled Cross Tees override the Main Runners; preventing twisting of the Cross Tees

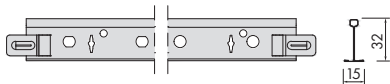
Application areas

- Healthcare / Classrooms / Meeting rooms / Individual offices

Physical data

- Material: galvanised steel
- Surface finish: baked polyester paint
- Colour: all products standard in DONN® White
- Other standard colours available on popular items

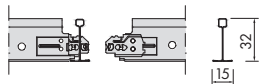
■ DONN® DX15 | Main Runners (bulb-to-bulb connection)



Item reference	Dimensions (mm)				Content/carton		Weight/carton kg	Cartons/pallet
	Length	Width	Height	Slot centres	pcs	lm		
DX15XM375W	3750	15	32	156.25	20	75.00	22.30	28
DX15XM370W	3700	15	32	100	20	74.00	22.00	28
DX15XM337.5W	3375	15	32	67.5	20	67.5	20.50	28

Available in Matt Black (LM), Metal 06 D for an additional charge. Special colours on request.

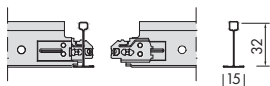
■ DONN® DX15 | Cross Tees (stab system - joggled GK)



Cross Tees - Slotted

Item reference	Length	Width	Height	Slot centres	Content/carton pcs	Weight/carton kg	Cartons/pallet
DX15XM135W	1350	15	32	337.5	60	81.00	24.50
DX15XM125W	1250	15	32	312.5	60	75.00	20.80
DX15XM120W	1200	15	32	300	60	72.00	20.00
DX15XM67.5W	675	15	32	337.5	60	40.50	12.50
DX15XM62.5W	625	15	32	312.5	60	37.50	10.80
DX15XM60W	600	15	32	300	60	36.00	11.00

Available in Matt Black (LM), Metal 06 D for an additional charge. Special colours on request.



Cross Tees - Unslotted

Item reference	Length	Width	Height	Slot centres	Content/carton pcs	Weight/carton kg	Cartons/pallet
DX15TM31.25W	312.5	15	32	-	60	18.75	4.00
DX15TM30W	300	15	32	-	60	18.00	4.00

Available in Matt Black (LM), Metal 06 D for an additional charge. Special colours on request.

Section Drawings

■ DONN® DX15 | Main Runners (bulb-to-bulb connection)

Length	78.125	156.25	21 x 156.25	156.25	78.125
3700	50	100	34 x 100	100	50
3375	337.5	67.5	2 x 67.5	67.5	337.5

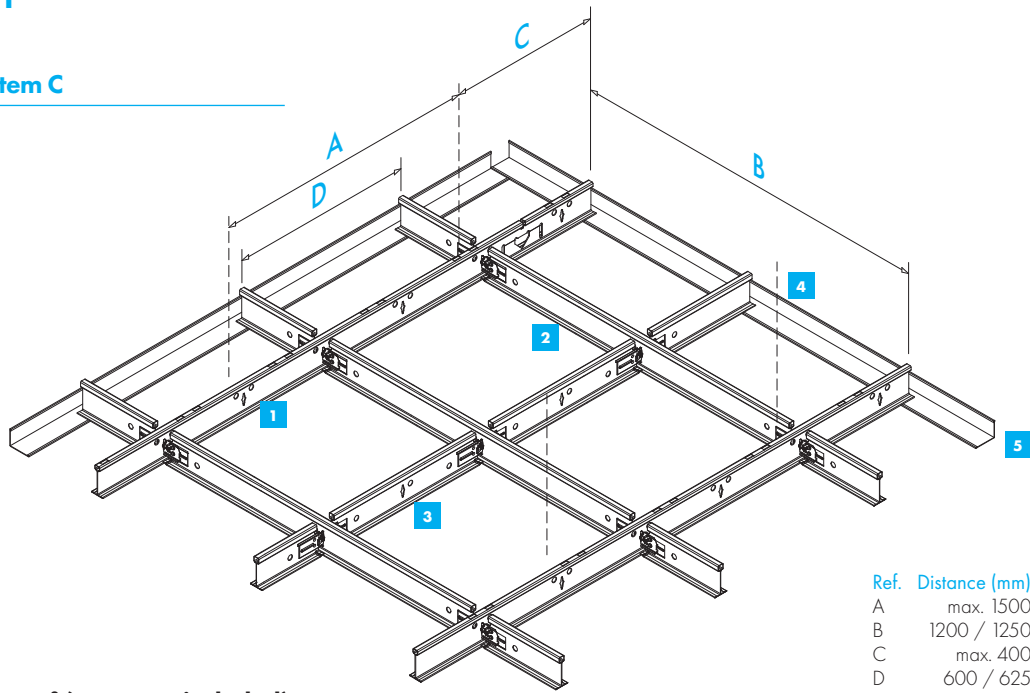
■ DONN® DX15 | Cross Tees (stab system - joggled GK)

Length	337.5	2 x 337.5	337.5
1350	337.5	2 x 337.5	337.5
1250	312.5	2 x 312.5	312.5
1200	300	2 x 300	300

Length	337.5	337.5
675	337.5	337.5
625	312.5	312.5
600	300	300

Length	312.5 / 300
312.5 / 300	312.5 / 300

System Drawing - System C



Ref.	Distance (mm)
A	max. 1500
B	1200 / 1250
C	max. 400
D	600 / 625

Material required per m² (no waste included)

No.	Description	Item reference	Module 600 x 600	Module 625 x 625	Module 1200 x 600	Module 1250 x 625
1	Main Runner	DX15XM370W DX15XM375W	0.84 lm	- 0.80 lm	0.84 lm	- 0.80 lm
2	Long Cross Tee	DX15XM120W DX15XM125W	1.67 lm	- 1.60 lm	1.67 lm	- 1.60 lm
3	Short Cross Tee	DX15XM60W DX15XM62.5W	0.84 lm	- 0.80 lm	-	-
4	Hanger	-	0.70 pcs	0.64 pcs	0.70 pcs	0.64 pcs
	Retaining Clip	-	5.56 pcs	5.56 pcs	5.56 pcs	5.56 pcs
	Tiles	-	2.78 pcs	2.56 pcs	1.39 pcs	1.28 pcs
5	Perimeter Trim		Dependent on room dimensions (approx. 0.6 lm/m ²)			

Load Table | Maximum permissible weight (kg/m²)

Main Runner distances Hanger distance A (mm)	1200 mm	1250 mm	600 mm	625 mm
	Module 600x600, 1200x600	Module 625x625, 1250x625	Module 600x600, 1200x600	Module 625x625, 1250x625
800	11.7	10.8	23.3	22.4
1000	9.7	8.8	20.8	20.0
1200	6.7	6.2	15.7	15.1
1500	3.1	3.0	7.8	7.5

Note:
The load per m² must be evenly distributed (no extra point loads).
After loading, the deflection will remain within the permitted deflection according to class 1 (L/500) of EN 13964, provided the grid is laid out as shown.



For other grid layouts, load capacities or hanger distances, please contact Knauf Ceiling Solutions.

Fire reaction		Euroclass A1 as per EN 13501-1	RUS KMO (NG) / KM1 (G1, V1, D1, T1) as per 123-FZ
Indoor air quality		 A+	 ISO 3
Cleanability			
Sustainability		 EN ISO 14001	 EN ISO 14025 Green Building Cradle to Cradle 2018
Design options			

All measurements in millimetres. All sizes are nominal.
Cross Tee alignment is achieved by locating the tees to the left-hand side of the adjoining section.

Products may vary from country to country. Please contact your local sales representative.
For further information and legal notice, please visit our website.
knaufceilingssolutions.com

General Applications

DONN® DX24 | GK

Exposed 24 mm grid system - System C

Key features

- Patented golden "Quick-Release™ Clip" for high quality grid system installation
- Clear audible click-connection, and can be removed without tools
- Joggled Cross Tees override the Main Runners; preventing twisting of the Cross Tees

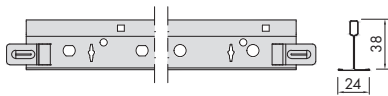
Application areas

- Healthcare / Classrooms / Meeting rooms / Individual offices

Physical data

- Material: galvanised steel
- Surface finish: baked polyester paint
- Colour: all products standard in DONN® White
- Other standard colours available on popular items

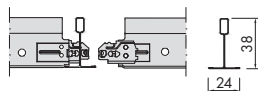
■ DONN® DX24 | Main Runners (bulb-to-bulb connection)



Item reference	Dimensions (mm)				Content/carton		Weight/carton kg	Cartons/pallet
	Length	Width	Height	Slot centres	pcs	lm		
DX24XH375W	3750	24	38	156.25	20	75.00	24.00	60
DX24XH370W	3700	24	38	100	20	74.00	21.00	60
DX24XH3375W	3375	24	38	337.5	20	67.50	25.00	60

Available in Matt Black (LM), Metal 06 D for an additional charge. Special colours on request.

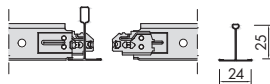
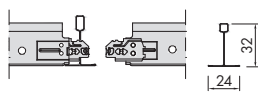
■ DONN® DX24 | Cross Tees (stab system - joggled GK)



Cross Tees - Slotted

Item reference	Length	Width	Height	Slot centres	Content/carton pcs	Weight/carton kg	Cartons/pallet
DX24TH180W	1800	24	38	300	32	57.60	45
DX24XH150W	1500	24	38	750	32	48.00	45
DX24XM135W	1350	24	32	337.5	60	81.00	75
DX24TM125W	1250	24	32	312.5	60	75.00	75
DX24TM120W	1200	24	32	300	60	72.00	75
DX24TS67,5W	675	24	25	337.5	60	40.50	144
DX24TS62,5W	625	24	25	312.5	60	37.50	150
DX24TS60W	600	24	25	300	60	36.00	150

Available in Matt Black (LM), Metal 06 D for an additional charge. Special colours on request.



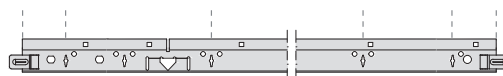
Cross Tees - Unslotted

Item reference	Length	Width	Height	Slot centres	Content/carton pcs	Weight/carton kg	Cartons/pallet
DX24TS31,25W	312,5	24	25	-	60	18.75	100
DX24TS30W	300	24	25	-	60	18.00	100

Available in Matt Black (LM), Metal 06 D for an additional charge. Special colours on request.

Section Drawings

■ DONN® DX24 | Main Runners (bulb-to-bulb connection)

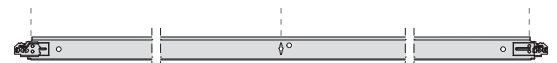


Length	78.125	156.25	21 x 156.25	156.25	78.125
3700	50	100	34 x 100	100	50
3375	168.75	337.5	7 x 337.5	337.5	168.75

■ DONN® DX24 | Cross Tees (stab system - joggled GK)



Length	600	2 x 300	600
1800	600	2 x 300	600
1350	375	2 x 300	375
1250	312.5	2 x 312.5	312.5
1200	300	2 x 300	300

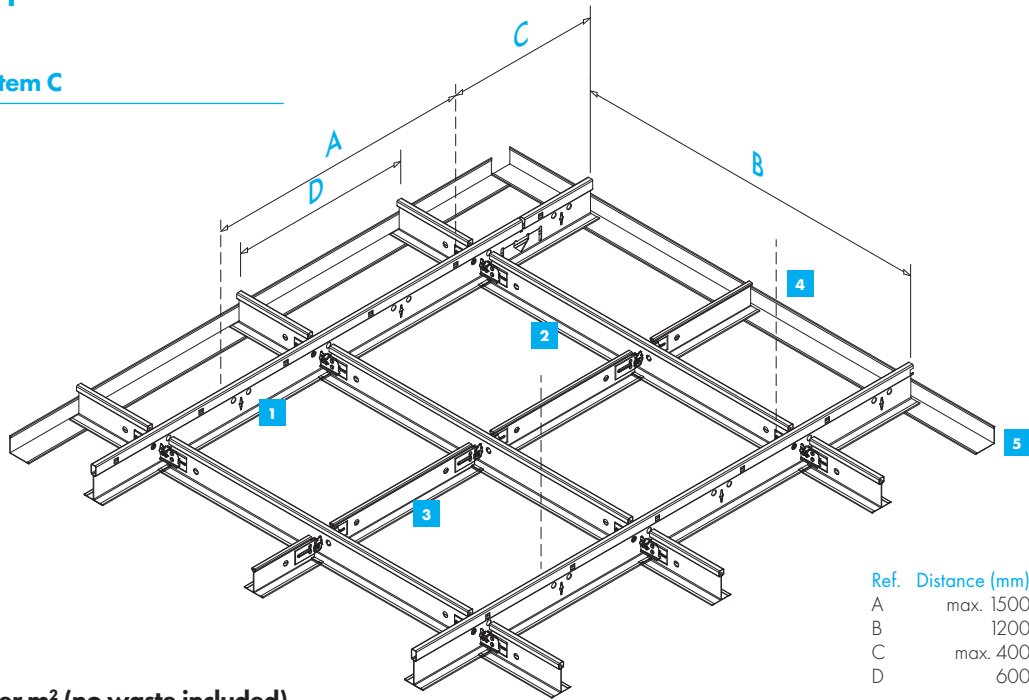


Length	750	750
1500	750	750
675	337.5	337.5
625	312.5	312.5
600	300	300



Length	312.5 / 300
312.5 / 300	312.5 / 300

System Drawing - System C



Ref.	Distance (mm)
A	max. 1500
B	1200
C	max. 400
D	600

Material required per m² (no waste included)

No.	Description	Item reference	Module 600 x 600	Module 625 x 625	Module 1200 x 600	Module 1250 x 625
1	Main Runner	DX24XH370W DX24XH375W	0.84 lm	- 0.80 lm	0.84 lm	- 0.80 lm
2	Long Cross Tee	DX24TM 120W DX24TM 125W	1.67 lm	- 1.60 lm	1.67 lm	- 1.60 lm
3	Short Cross Tee	DX24TS60W DX24TS62,5W	0.84 lm	- 0.80 lm	-	-
4	Hanger	-	0.70 pcs	0.64 pcs	0.70 pcs	0.64 pcs
	Retaining Clip	-	5.56 pcs	5.56 pcs	5.56 pcs	5.56 pcs
	Tiles	-	2.78 pcs	2.56 pcs	1.39 pcs	1.28 pcs
5	Perimeter Trim		Dependent on room dimensions (approx. 0.6 lm/m ²)			

Load Table | Maximum permissible weight (kg/m²)

Main Runner distances	1800 mm	1200 mm	1250 mm	600 mm	625 mm
Hanger distance A (mm)	Module 600 x 600	Module 600x600, 1200x600	Module 625x625, 1250x625	Module 600x600, 1200x600	Module 625x625, 1250x625
800	5.0	14.1	12.1	25.0	25.0
1000	5.0	11.6	10.3	25.0	25.0
1200	5.0	8.3	7.6	18.8	17.7
1500	3.2	4.7	4.5	10.2	9.7

Note:
The load per m² must be evenly distributed (no extra point loads).
After loading, the deflection will remain within the permitted deflection according to class 1 (L/500) of EN 13964, provided the grid is laid out as shown.

For other grid layouts, load capacities or hanger distances, please contact Knaf Ceiling Solutions.

Fire reaction		Euroclass A1 as per EN 13501-1	RUS KMO (NG) / KM1 (G1, V1, D1, T1) as per 123-FZ
Indoor air quality		 A+	 ISO 3
Cleanability			
Sustainability		 EN ISO 14001	 EN ISO 14025 Green Building
Design options			

All measurements in millimetres. All sizes are nominal.
Cross Tee alignment is achieved by locating the tees to the left-hand side of the adjoining section.

Products may vary from country to country. Please contact your local sales representative.
For further information and legal notice, please visit our website.
knafceilingssolutions.com

General Applications

DONN® DX3-24 | GK

Exposed 24 mm grid system - System C

Key features

- DX3 with three rib design for more stability, increased security, faster installation
- Patented golden "Quick-Release™ Clip" for high quality grid system installation
- Clear audible click-connection, and can be removed without tools
- Joggled Cross Tees override the Main Runners; preventing twisting of the Cross Tees

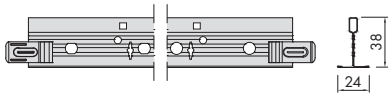
Application areas

- Healthcare / Classrooms / Meeting rooms / Individual offices

Physical data

- Material: galvanised steel
- Surface finish: baked polyester paint
- Colour: all products standard in DONN® White
- Other standard colours available on popular items

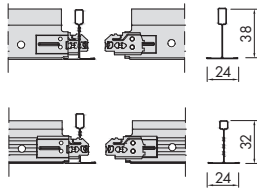
■ DONN® DX3-24 | Main Runners (bulb-to-bulb connection)



Item reference	Dimensions (mm)				Content/carton		Weight/carton kg	Cartons/pallet
	Length	Width	Height	Slot centres	pcs	lm		
DX3-24TH375W	3750	24	38	156.25	20	75.00	23.00	70
DX3-24TH370W	3700	24	38	100	20	74.00	22.00	70

Available in Matt Black (LM), Metal 06 D for an additional charge. Special colours on request.

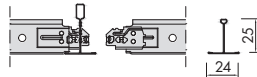
■ DONN® DX3-24 | Cross Tees (stab system - joggled GK)



Cross Tees - Slotted

Item reference	Length	Width	Height	Slot centres	Content	Weight	Cartons
DX24XH1875W	1875	24	38	312.5	20	37.50	13.70
DX24XH180W	1800	24	38	300	20	36.00	13.50
DX3-24TM125W	1250	24	32	312.5	60	75.00	19.90
DX3-24TM120W	1200	24	32	300	60	72.00	18.60
DX24TS62,5W	625	24	25	312.5	60	37.50	7.70
DX24TS60W	600	24	25	300	60	36.00	7.30

Available in Matt Black (LM), Metal 06 D for an additional charge. Special colours on request.



Cross Tees - Unslotted

Item reference	Length	Width	Height	Slot centres	Content	Weight	Cartons
DX24TS31,25W	312.5	24	25	-	60	18.75	4.30
DX24TS30W	300	24	25	-	60	18.00	4.20

Available in Matt Black (LM), Metal 06 D for an additional charge. Special colours on request.

Section Drawings

■ DONN® DX3-24 | Main Runners (bulb-to-bulb connection)

Length	78.125	156.25	21 x 156.25	156.25	78.125
3750					
3700	50	100	34 x 100	100	50

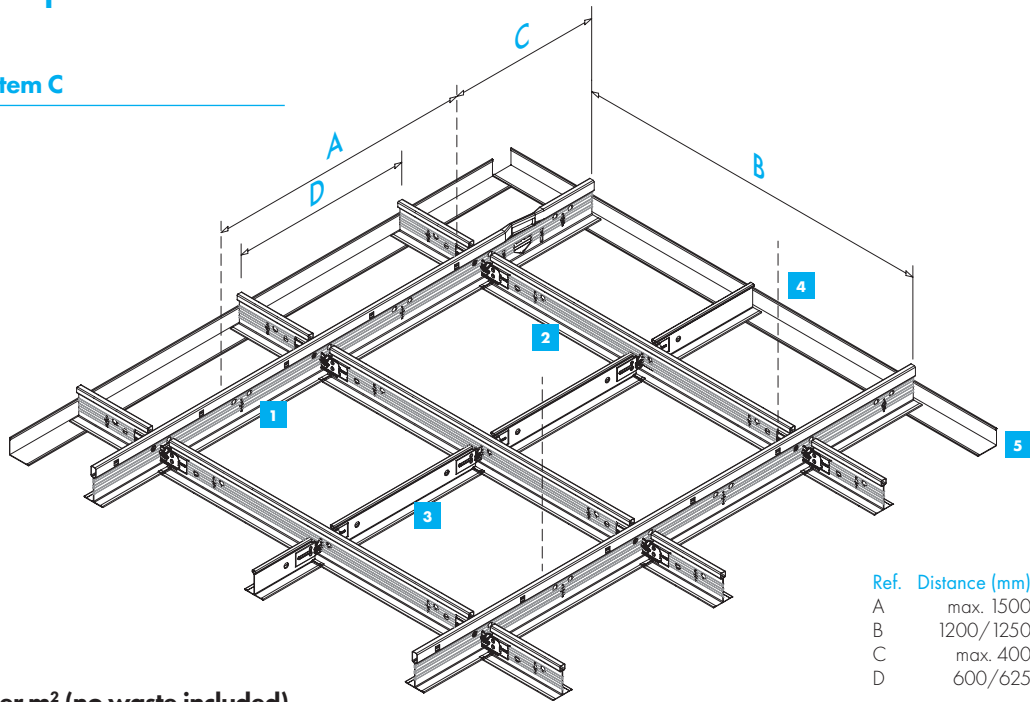
■ DONN® DX3-24 | Cross Tees (stab system - joggled GK)

Length	312.5	4 x 312.5	312.5
1875			
1800	300	4 x 300	300
1250	312.5	2 x 312.5	312.5
1200	300	2 x 300	300

Length	312.5	312.5
625		
600	300	300

Length	312.5 / 300

System Drawing - System C



Ref.	Distance (mm)
A	max. 1500
B	1200/1250
C	max. 400
D	600/625

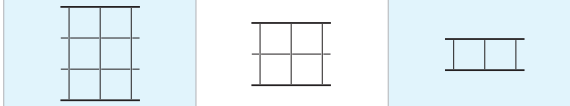
Material required per m² (no waste included)

No.	Description	Item reference	Module 600 x 600	Module 625 x 625	Module 1200 x 600	Module 1250 x 625
1	Main Runner	DX3-24TH370W DX3-24TH375W	0.84 lm	– 0.80 lm	0.84 lm	– 0.80 lm
2	Long Cross Tee	DX3-24TM120W DX3-24TM125W	1.67 lm	– 1.60 lm	1.67 lm	– 1.60 lm
3	Short Cross Tee	DX24TS60W DX24TS62,5W	0.84 lm	– 0.80 lm	–	–
4	Hanger	–	0.70 pcs	0.64 pcs	0.70 pcs	0.64 pcs
	Retaining Clip	–	5.56 pcs	5.56 pcs	5.56 pcs	5.56 pcs
	Tiles	–	2.78 pcs	2.56 pcs	1.39 pcs	1.28 pcs
5	Perimeter trim	–	Dependent on room dimensions (approx. 0.6 lm/m ²)			

Load Table | Maximum permissible weight (kg/m²)

Main Runner distances Hanger distance A (mm)	1800 mm	1875 mm	1200 mm	1250 mm	600 mm	625 mm
	Module 600 x 600	Module 625 x 625	Module 600x600, 1200x600	Module 625x625, 1250x625	Module 600x600, 1200x600	Module 625x625, 1250x625
800	5.6	4.6	13.9	12.0	25.0	25.0
1000	5.6	4.6	11.6	10.3	25.0	25.0
1200	5.3	4.5	8.4	7.6	18.8	17.7
1500	3.0	–	4.8	4.5	10.2	9.7

Note:
The load per m² must be evenly distributed (no extra point loads).
After loading, the deflection will remain within the permitted deflection according to class 1 (L/500) of EN 13964, provided the grid is laid out as shown.



For other grid layouts, load capacities or hanger distances, please contact Knaf Ceiling Solutions.

Fire reaction	Euroclass A2, s1-d0 as per EN 13501-1	RUS KMO (NG) / KM1 (G1, V1, D1, T1) as per 123-FZ
Indoor air quality	ISO 3	
Cleanability		
Sustainability	up to 25%	
Design options		

All measurements in millimetres. All sizes are nominal.
Cross Tee alignment is achieved by locating the tees to the left-hand side of the adjoining section.

Products may vary from country to country. Please contact your local sales representative.
For further information and legal notice, please visit our website.
knafceilingssolutions.com

General Applications

DONN® DXH-24 | GK

Exposed 24 mm grid system - System C

Key features

- Specially designed grid system for higher load performance
- Patented golden "Quick-Release™ Clip" for high quality grid system installation
- Clear audible click-connection, and can be removed without tools
- Joggled Cross Tees override the Main Runners; preventing twisting of the Cross Tees

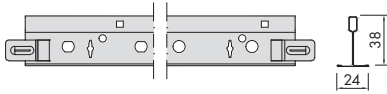
Application areas

- Healthcare / Classrooms / Meeting rooms / Individual offices

Physical data

- Material: galvanised steel
- Surface finish: baked polyester paint
- Colour: all products standard in DONN® White
- Other standard colours available on popular items

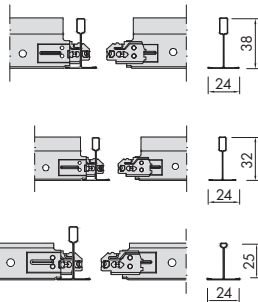
■ DONN® DXH-24 | Main Runners (bulb-to-bulb connection)



Item reference	Dimensions (mm)				Content/carton		Weight/carton kg	Cartons/pallet
	Length	Width	Height	Slot centres	pcs	lm		
DX24XH370W	3700	24	38	100	20	74.00	24.00	60

Available in Matt Black (LM), Metal 06 D for an additional charge. Special colours on request.

■ DONN® DXH-24 | Cross Tees (stab system - joggled GK)

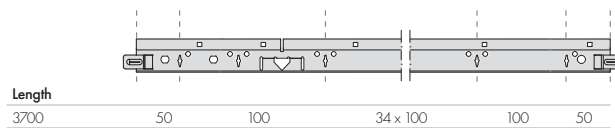


Cross Tees - Slotted								
DX24XH180W	1800	24	38	300	32	57.60	21.10	45
DX24XM120W	1200	24	32	300	60	72.00	22.00	75
DX24TS60W	600	24	25	300	60	36.00	7.00	150

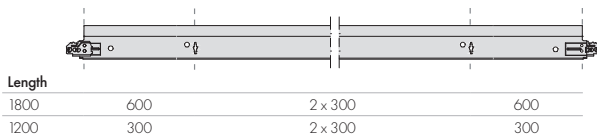
Available in Matt Black (LM), Metal 06 D for an additional charge. Special colours on request.

Section Drawings

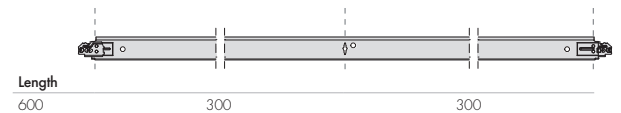
■ DONN® DXH-24 | Main Runners (bulb-to-bulb connection)



■ DONN® DXH-24 | Cross Tees (stab system - joggled GK)

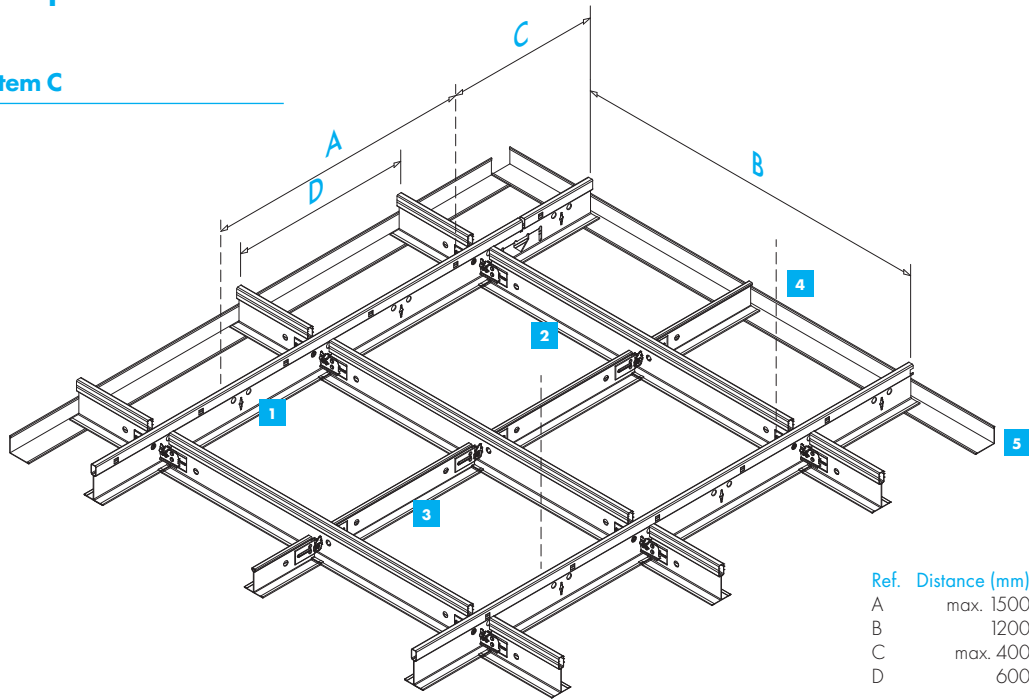


Length	600	2 x 300	600
1800			
1200	300	2 x 300	300



Length	600	300	300
600			

System Drawing - System C



Ref.	Distance (mm)
A	max. 1500
B	1200
C	max. 400
D	600

Material required per m² (no waste included)

No.	Description	Item reference	Module 600 x 600 (MR 600)	Module 600 x 600 (MR 1800)	Module 1200 x 600
1	Main Runner	DX24XH370W	0.84 lm	0.56 lm	0.84 lm
2	Long Cross Tee	DX24XH180W DX24XM120W	– 1.67 lm	1.67 lm –	– 1.67 lm
3	Short Cross Tee	DX24TS60W	0.84 lm	0.84 lm	–
4	Hanger	–	0.70 pcs	0.46 pcs	0.70 pcs
	Retaining Clip	–	5.56 pcs	5.56 pcs	5.56 pcs
	Tiles	–	2.78 pcs	2.78 pcs	2.78 pcs
5	Perimeter Trim		Dependent on room dimensions (approx. 0.6 lm/m ²)		

Load Table | Maximum permissible weight (kg/m²)

Main Runner distances Hanger distance A (mm)	1800 mm Module 600 x 600	1200 mm Module 600x600, 1200x600	600 mm Module 600x600, 1200x600
800	5.8	16.6	25.0
1000	5.8	14.7	25.0
1200	5.7	11.6	18.8
1500	3.4	6.5	10.2

Note:
The load per m² must be evenly distributed (no extra point loads).
After loading, the deflection will remain within the permitted deflection according to class 1 (L/500) of EN 13964, provided the grid is laid out as shown.

For other grid layouts, load capacities or hanger distances, please contact Knauf Ceiling Solutions.

Fire reaction		Euroclass A1 as per EN 13501-1	RUS KMO (NG) / KM1 (G1, V1, D1, T1) as per 123-FZ
Indoor air quality		 A+	 ISO 3
Cleanability			
Sustainability		 EN ISO 14021 25%	 EN ISO 14025 Green Building 2019
Design options			

All measurements in millimetres. All sizes are nominal.
Cross Tee alignment is achieved by locating the tees to the left-hand side of the adjoining section.

Products may vary from country to country. Please contact your local sales representative.
For further information and legal notice, please visit our website.
knaufceilingssolutions.com

Exposed 24 mm grid system for high humidity environments - System C

Key features

- Increased corrosion protection as per EN 13964, Class D for ceiling installations in swimming pools
- For applications with continued high humidity (> 95% RH); Corrosion protected accessories available
- Patented golden "Quick-Release™ Clip" for high quality grid system installation
- Joggled Cross Tees override the Main Runners; preventing twisting of the Cross Tees

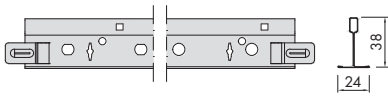
Application areas

- High humidity areas

Physical data

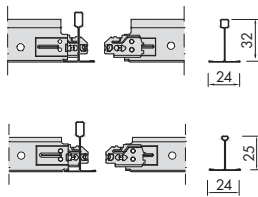
- Material: galvanised steel with additional protective paint
- Surface finish: baked polyester paint
- Colour: all products standard in DONN® White

■ DONN® DX24 KB | Main Runners (bulb-to-bulb connection)



Item reference	Dimensions (mm)				Content/carton		Weight/carton kg	Cartons/pallet
	Length	Width	Height	Slot centres	pcs	lm		
DX24XH375KB	3750	24	38	156.25	20	75.00	26.80	30
DX24XH370KB	3700	24	38	100	20	74.00	26.30	30

■ DONN® DX24 KB | Cross Tees (stab system - joggled GK)



Cross Tees - Slotted								
Item reference	Length	Width	Height	Slot centres	Content/carton pcs	Content/carton lm	Weight/carton kg	Cartons/pallet
DX24XM125KB	1250	24	32	312.5	60	75.00	26.30	75
DX24XM120KB	1200	24	32	300	60	72.00	25.30	75
DX24XS62,5KB	625	24	25	312.5	60	37.50	12.80	150
DX24XS60KB	600	24	25	300	60	36.00	12.30	150

■ DONN® DX24 KB | Perimeter Trims white



MIE2024KB	3000	20	24	-	40	120.00	26.10	60
-----------	------	----	----	---	----	--------	-------	----

Section Drawings

■ DONN® DX24 KB | Main Runners (bulb-to-bulb connection)

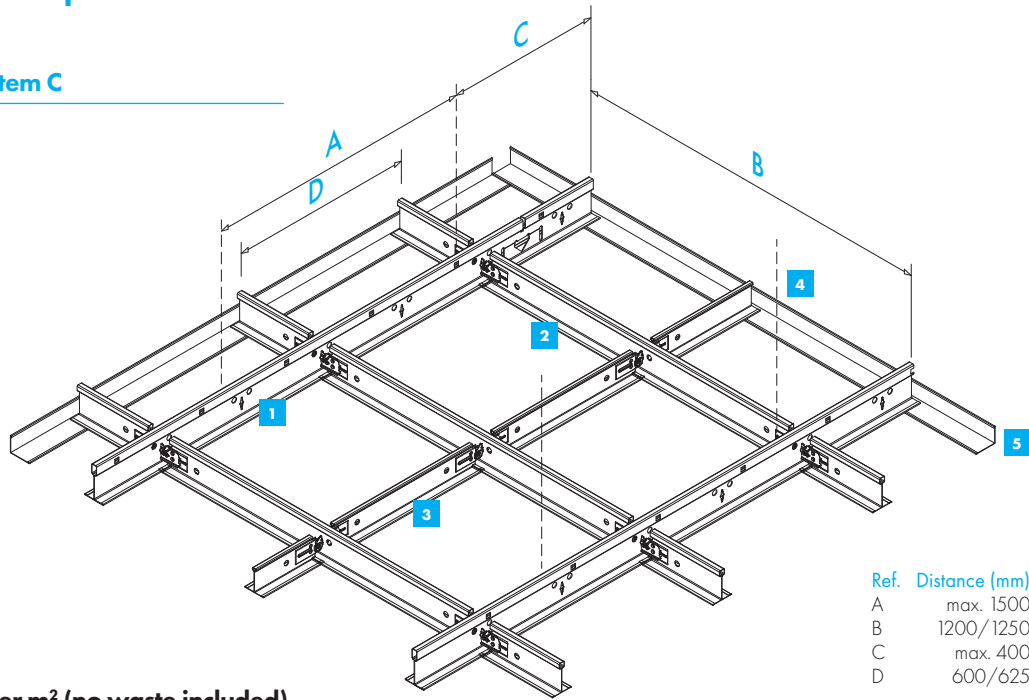
Length	78.125	156.25	21 x 156.25	156.25	78.125
3750					
3700	50	100	34 x 100	100	50

■ DONN® DX24 KB | Cross Tees (stab system - joggled GK)

Length	312.5	2 x 312.5	312.5
1250			
1200	300	2 x 300	300

Length	312.5	312.5
625		
600	300	300

System Drawing - System C



Ref.	Distance (mm)
A	max. 1500
B	1200/1250
C	max. 400
D	600/625

Material required per m² (no waste included)

No.	Description	Item reference	Module 600 x 600	Module 625 x 625	Module 1200 x 600	Module 1250 x 625
1	Main Runner	DX24XH370KB DX24XH375KB	0.84 lm	0.80 lm	0.84 lm	0.80 lm
2	Long Cross Tee	DX24XM120KB DX24XM125KB	1.67 lm	1.60 lm	1.67 lm	1.60 lm
3	Short Cross Tee	DX24XS60KB DX24XS62,5KB	0.84 lm	0.80 lm	-	-
4	Hanger	-	0.70 pcs	0.64 pcs	0.70 pcs	0.64 pcs
	Retaining Clip	-	5.56 pcs	5.56 pcs	5.56 pcs	5.56 pcs
	Tiles	-	2.78 pcs	2.56 pcs	1.39 pcs	1.28 pcs
5	Perimeter Trim	-	Dependent on room dimensions (approx. 0.6 lm/m ²)			

Load Table | Maximum permissible weight (kg/m²)

Main Runner distances Hanger distance A (mm)	1200 mm	1250 mm	600 mm	625 mm
	Module 600x600, 1200x600	Module 625x625, 1250x625	Module 600x600, 1200x600	Module 625x625, 1250x625
800	13.9	12.1	25.0	25.0
1000	11.5	10.3	25.0	25.0
1200	8.2	7.6	18.7	17.7
1500	4.7	4.5	10.2	9.7

Note:
The load per m² must be evenly distributed (no extra point loads).
After loading, the deflection will remain within the permitted deflection according to class 1 (L/500) of EN 13964, provided the grid is laid out as shown.



For other grid layouts, load capacities or hanger distances, please contact Knauf Ceiling Solutions.

Fire reaction		Euroclass A1 as per EN 13501-1	RUS KMO (NG) / KM1 (G1, V1, D1, T1) as per 123-FZ
Indoor air quality		 A+	 ISO 3
Cleanability			
Sustainability		 EN ISO 14001	 EN ISO 14025 Green Building EN ISO 14001
Design options			

All measurements in millimetres. All sizes are nominal.
Cross Tee alignment is achieved by locating the tees to the left-hand side of the adjoining section.

Products may vary from country to country. Please contact your local sales representative.
For further information and legal notice, please visit our website.
knaufceiling.com

General Applications

DONN® DX35 | GK

Exposed 35 mm grid system - System C

Key features

- System with 35 mm exposed profile for use with HERADESIGN® acoustic ceiling tiles (concealed installation) and industrial ceiling tiles
- Patented golden “Quick-Release™ Clip” for high quality grid system installation
- Joggled Cross Tees override the Main Runners; preventing twisting of the Cross Tees

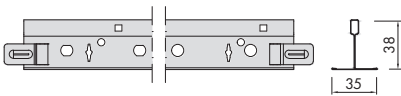
Application areas

- Retail outlets / Industrial manufacturing / Circulation areas

Physical data

- Material: galvanised steel
- Surface finish: baked polyester paint
- Colour: all products standard in DONN® White
- Other standard colours available on popular items

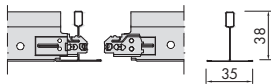
■ DONN® DX35 | Main Runners (bulb-to-bulb connection)



Item reference	Dimensions (mm)				Content/carton		Weight/carton kg	Cartons/pallet
	Length	Width	Height	Slot centres	pcs	lm		
DX35XH370W ^{[1][2]}	3700	35	38	100	16	59.20	24.00	50

Available in ^[1] Matt Black (LM), ^[2] galvanised for an additional charge. Special colours on request.

■ DONN® DX35 | Cross Tees (stab system - joggled GK)



Cross Tees - Slotted

DX35XH120W ^{[1][2]}	1200	35	38	600	40	48.00	20.70	50
DX35XH100W ^{[1][2]}	1000	35	38	500	40	40.00	17.40	50
DX35XH60W ^{[1][2]}	600	35	38	300	40	24.00	10.50	36

Available in ^[1] Matt Black (LM), ^[2] galvanised for an additional charge. Special colours on request.

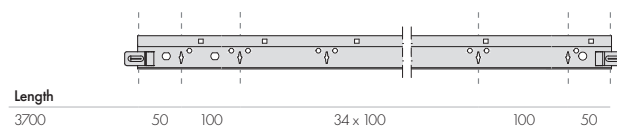
Cross Tees - Unslotted

DX35XH199W ^[2]	1990	35	38	-	40	79.60	34.10	36
DX35XH150W ^{[1][2]}	1500	35	38	-	40	60.00	25.80	36

Available in ^[1] Matt Black (LM), ^[2] galvanised for an additional charge. Special colours on request.

Section Drawings

■ DONN® DX35 | Main Runners (bulb-to-bulb connection)

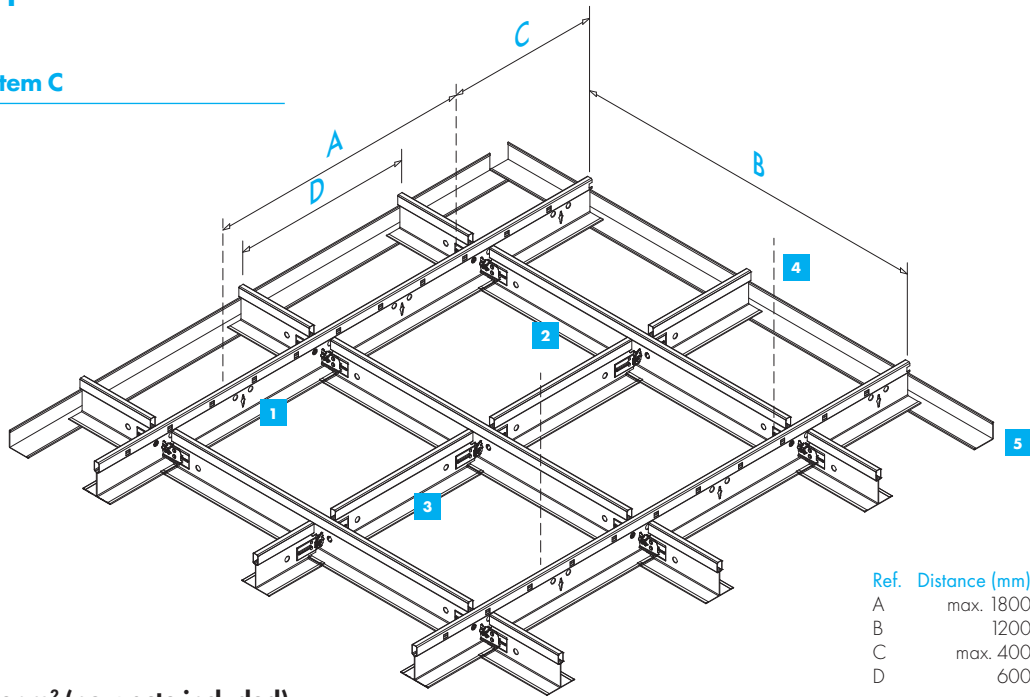


■ DONN® DX35 | Cross Tees (stab system - joggled GK)

Length	600	600
1200	500	500
1000	300	300

Length	1500 / 1990

System Drawing - System C



Ref.	Distance (mm)
A	max. 1800
B	1200
C	max. 400
D	600

Material required per m² (no waste included)

No.	Description	Item reference	Module 600 x 600	Module 1200 x 600
1	Main Runner	DX35XH370W	0.84 lm	0.84 lm
2	Long Cross Tee	DX35XH120W	1.67 lm	1.67 lm
3	Short Cross Tee	DX35XH60W	0.84 lm	-
4	Hanger	-	0.70 pcs	0.70 pcs
	Retaining Clip	-	5.56 pcs	5.56 pcs
	Tiles	-	2.78 pcs	1.39 pcs
5	Perimeter trim		Dependent on room dimensions (approx. 0.6 lm/m ²)	

Load Table | Maximum permissible weight (kg/m²)

Main Runner distances Hanger distance A (mm)	1990 mm	1500 mm	1200 mm	1000 mm	600 mm
	Module 1990 x 1000	Module 1500 x 1000	Module 600x600, 1200x600	Module 1000x600	Module 600x600, 1200x600
800	2.7	6.9	17.4	25.0	25.0
1000	2.5	6.4	14.1	20.0	25.0
1200	-	5.3	9.6	12.3	22.6
1500	-	3.3	5.0	6.1	10.7
1800	-	-	-	3.0	5.6

Note:
The load per m² must be evenly distributed (no extra point loads).
After loading, the deflection will remain within the permitted deflection according to class 1 (L/500) of EN 13964, provided the grid is laid out as shown.

For other grid layouts, load capacities or hanger distances, please contact Knaufe Ceiling Solutions.

Fire reaction		Euroclass A1 as per EN 13501-1	RUS KMO (NG) / KM1 (G1, V1, D1, T1) as per 123-FZ
Indoor air quality		 A+	 ISO 3
Cleanability			
Sustainability		 EN ISO 14001	 EN ISO 14025 Green Building certified by Green Building Council
Design options			

All measurements in millimetres. All sizes are nominal.
Cross Tee alignment is achieved by locating the tees to the left-hand side of the adjoining section.

Products may vary from country to country. Please contact your local sales representative.
For further information and legal notice, please visit our website.
knaufceilingssolutions.com

General Applications

DONN® DX24 Espace | GK

Taller exposed 24 mm grid system for longer spanning capability - System C

Key features

- 70 mm high Main Runners enable the uptake of higher loads
- Less hangers, spans up to 2.70 m
- Fully compatible with standard DONN® DX Cross Tees

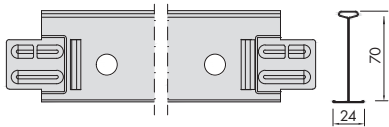
Application areas

- Circulation areas / Buildings with limited suspension points

Physical data

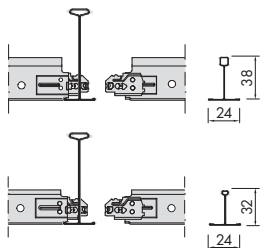
- Material: galvanised steel
- Surface finish: baked polyester paint
- Colour: all products standard in DONN® White

■ DONN® DX24 Espace | Main Runners (bulb-to-bulb connection)



Item reference	Dimensions (mm)				Content/carton		Weight/carton kg	Cartons/pallet
	Length	Width	Height	Slot centres	pcs	lm		
DXE24QG360W	3600	24	70	300	10	36.00	28.50	50
DXE24ZG312,5W	3125	24	70	625	10	31.25	30.00	50

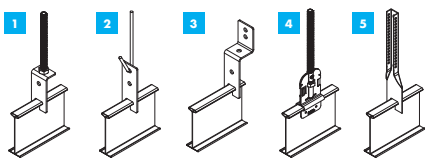
■ DONN® DX24 Espace | Cross Tees (stab system - joggled GK)



Cross Tees - Slotted

Item reference	Length	Width	Height	Slot centres	Content/carton pcs	Content/carton lm	Weight/carton kg	Cartons/pallet
DX24XH1875W	1875	24	38	312.5	20	37.50	13.70	70
DX24XH1800W	1800	24	38	300	20	36.00	13.50	70
DX24TM125W	1250	24	32	312.5	60	75.00	18.50	50
DX24TM120W	1200	24	32	300	60	72.00	18.00	75
DX24TS62,5W	625	24	25	312.5	60	37.50	8.60	150
DX24TS60W	600	24	25	300	60	36.00	8.00	150

■ DONN® DX24 Espace | Accessories



No.	Item reference	Content/carton pcs	Content/carton lm	Weight/carton kg	Description
1	PSS1	50	-	2	Threaded Rod M6 PSS1 for DXE
2	PSS1D	50	-	3	Hanger Straight for DXE
3	PSS2	50	-	2	Wall Connector for DXE
4	PSS3	50	-	3	Hanger Threaded Rod M6 for DXE
5	Nº 240	100	-	5	Hang Nonius Bottom for Espace

Section Drawings

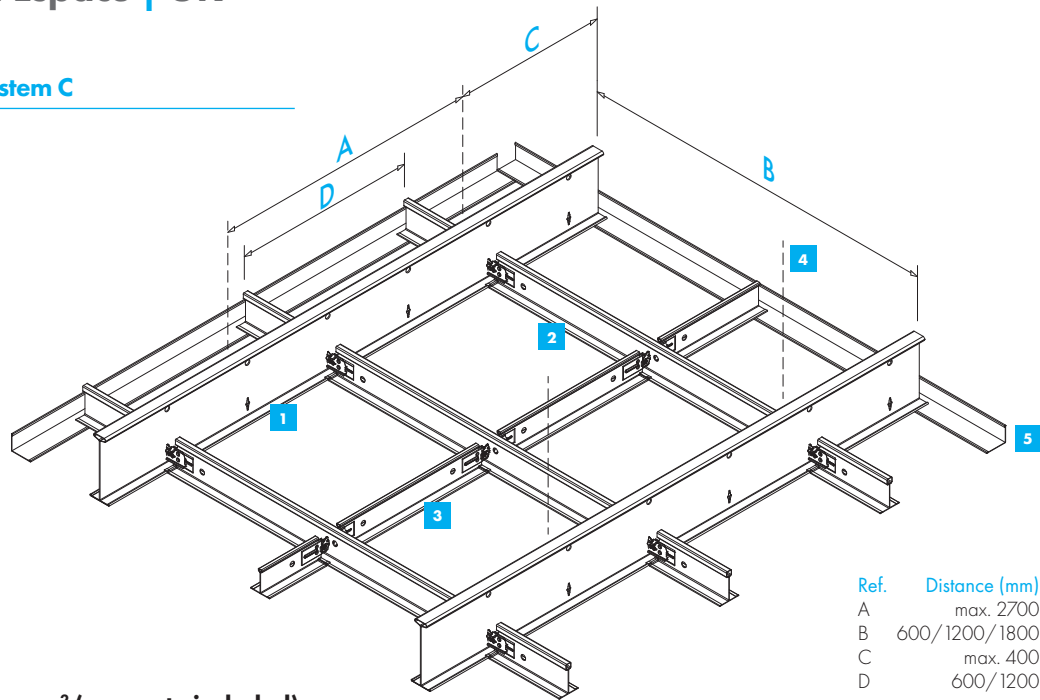
■ DONN® DX24 Espace | Main Runners (bulb-to-bulb connection)

Length	Slot centres	Number of slots	End slot offset
3600	300	11	150
3125	625	4	312.5

■ DONN® DX24 Espace | Cross Tees (stab system - joggled GK)

Length	Slot centres	Number of slots	End slot offset
1875	312.5	4	312.5
1800	300	4	300
1250	312.5	2	312.5
1200	300	2	300

System Drawing - System C



Ref.	Distance (mm)
A	max. 2700
B	600/1200/1800
C	max. 400
D	600/1200

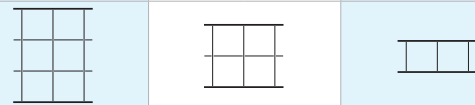
Material required per m² (no waste included)

No.	Description	Item reference	Module 600 x 600	Module 625 x 625	Module 1200 x 600	Module 1250 x 625
1	Main Runner	DXE24QG360W DXE24ZG312,5W	0.84 lm	- 0.80 lm	0.84 lm	- 0.80 lm
2	Long Cross Tee	DX24TM120W DX24TM125W	1.67 lm	- 1.60 lm	1.67 lm	- 1.60 lm
3	Short Cross Tee	DX24TS60W DX24TS62,5W	0.84 lm	- 0.80 lm	-	-
4	Hanger	-	0.70 pcs	0.64 pcs	0.70 pcs	0.64 pcs
	Retaining Clip	-	5.56 pcs	5.56 pcs	5.56 pcs	5.56 pcs
	Tiles	-	2.78 pcs	2.56 pcs	1.39 pcs	1.28 pcs
5	Perimeter Trim		Dependent on room dimensions (approx. 0.6 lm/m ²)			

Load Table | Maximum permissible weight (kg/m²)

Main Runner distances Hanger distance A (mm)	1800 mm	1875 mm	1200 mm	1250 mm	600 mm	625 mm
	Module 600 x 600	Module 625 x 625	Module 600x600, 1200x600	Module 625x625, 1250x625	Module 600x600, 1200x600	Module 625x625, 1250x625
1500	5.6	4.6	16.6	14.9	25.0	25.0
1800	5.2	4.4	13.8	12.0	25.0	25.0
2100	3.8	3.2	9.4	8.4	25.0	24.6
2400	-	-	5.1	4.7	13.7	13.0
2700	-	-	3.3	3.0	8.2	7.7

Note:
The load per m² must be evenly distributed (no extra point loads).
After loading, the deflection will remain within the permitted deflection according to class 1 (L/500) of EN 13964, provided the grid is laid out as shown.



For other grid layouts, load capacities or hanger distances, please contact Knauf Ceiling Solutions.

Fire reaction		Euroclass A1 as per EN 13501-1	RUS KMO (NG) / KM1 (G1, V1, D1, T1) as per 123-FZ
Indoor air quality		 A+	 ISO 3
Cleanability			
Sustainability		 EN ISO 14001	 EN ISO 14025 Green Building
Design options		up to 25%	

All measurements in millimetres. All sizes are nominal.
Cross Tee alignment is achieved by locating the tees to the left-hand side of the adjoining section.

Products may vary from country to country. Please contact your local sales representative.
For further information and legal notice, please visit our website.
knaufceilingssolutions.com

General Applications

DONN® DX24-CE | GK

Exposed 24 mm grid system for clean rooms and controlled environments - System C

Key features

- Specially adapted for the implementation of ceilings in rooms with controlled environments, clean rooms
- Closed-cell PVC foam seal, a factory applied gasket for a better seal between tile and grid
- Perimeter finish by a C-Channel with foam seal
- Hold down clips to ensure a good seal

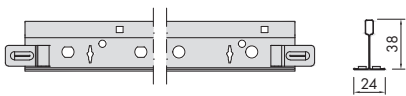
Application areas

- Healthcare, Hi-tech manufacturing

Physical data

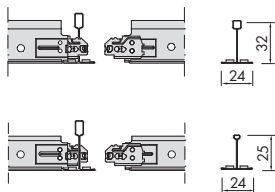
- Material: galvanised steel
- Surface finish: baked polyester paint
- Colour: all products standard in DONN® White

■ DONN® DX24-CE | Main Runner (bulb-to-bulb connection)



Item reference	Dimensions (mm)				Content/carton		Weight/carton kg	Cartons/pallet
	Length	Width	Height	Slot centres	pcs	lm		
DX24XH370WCE	3700	24	38	100	18	66.60	27.10	30

■ DONN® DX24-CE | Cross Tees (stab system - joggled GK)



Cross Tees - Slotted

Item reference	Length	Width	Height	Slot centres	Content/carton pcs	Content/carton lm	Weight/carton kg	Cartons/pallet
DX24TM120WCE	1200	24	32	300	56	67.20	17.30	50
DX24TS60WCE	600	24	25	300	56	33.60	8.10	60

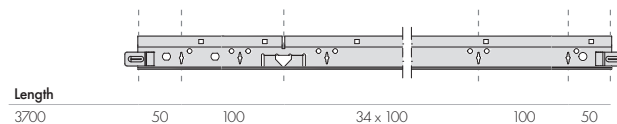
■ DONN® DX24-CE | Perimeter Trim

Perimeter Trim

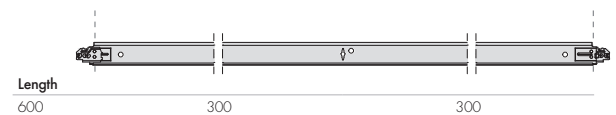
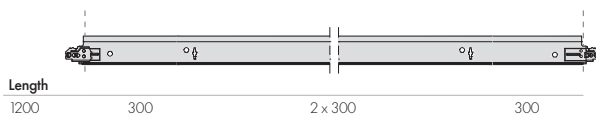
Item reference	Length	Width	Height	Slot centres	Content/carton pcs	Content/carton lm	Weight/carton kg	Cartons/pallet
MUS25WCE2	3000	20	40	-	30	90.00	27.80	24

Section Drawings

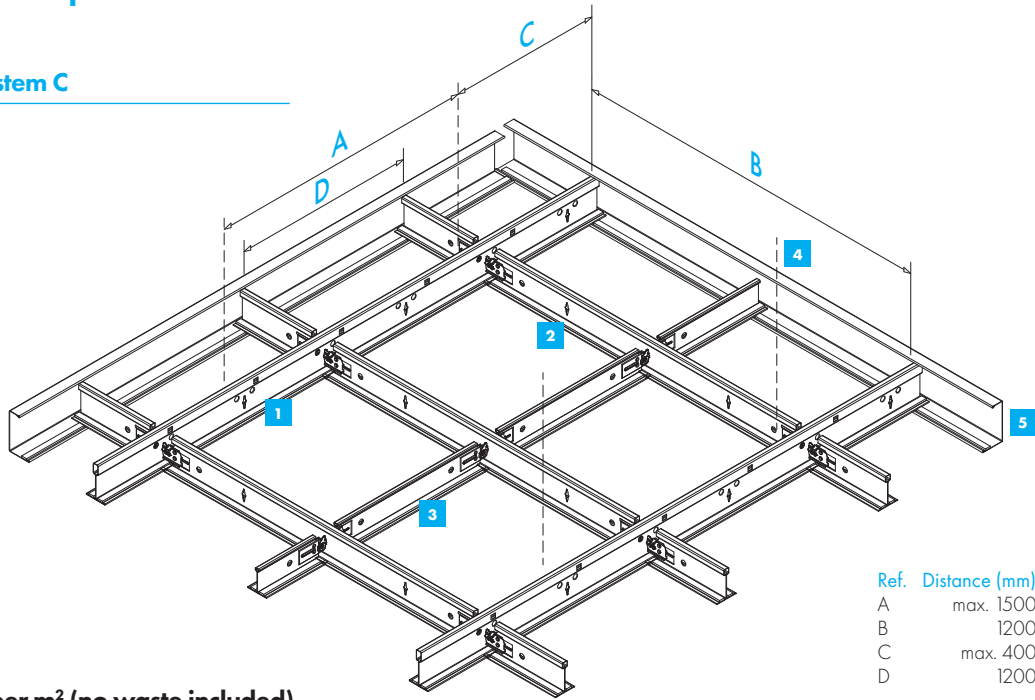
■ DONN® DX24-CE | Main Runner (bulb-to-bulb connection)



■ DONN® DX24-CE | Cross Tees (stab system - joggled GK)



System Drawing - System C



Ref.	Distance (mm)
A	max. 1500
B	1200
C	max. 400
D	1200

Material required per m² (no waste included)

No.	Description	Item reference	Module 600 x 600	Module 1200 x 600
1	Main Runner	DX24XH370WCE	0.84 lm	0.84 lm
2	Long Cross Tee	DX24TM120WCE	1.67 lm	1.67 lm
3	Short Cross Tee	DX24TS60WCE	0.84 lm	-
4	Hanger	-	0.70 pcs	0.70 pcs
	Retaining Clip	-	5.56 pcs	5.56 pcs
	Tiles	-	2.78 pcs	1.39 pcs
5	Perimeter trim	MUS25WCE2	Dependent on room dimensions (approx. 0.6 lm/m ²)	

Load Table | Maximum permissible weight (kg/m²)

Main Runner distances	1200 mm	600 mm
Hanger distance A (mm)	Module 600x600, 1200x600	Module 600x600, 1200x600
800	14.1	25.0
1000	11.6	25.0
1200	8.3	18.8
1500	4.7	10.2

Note:
The load per m² must be evenly distributed (no extra point loads).
After loading, the deflection will remain within the permitted deflection according to class 1 (L/500) of EN 13964, provided the grid is laid out as shown.

For other grid layouts, load capacities or hanger distances, please contact Knauf Ceiling Solutions.

Fire reaction	Euroclass E as per EN 13501-1	RUS KM1 (G1, V1, D1, T1) as per 123-FZ
Indoor air quality	A+ ISO 3	
Cleanability		
Sustainability	up to 25%	

All measurements in millimetres. All sizes are nominal.
Cross Tee alignment is achieved by locating the tees to the left-hand side of the adjoining section.

General Applications

DONN® DP Bandraster

Exposed Bandraster system - System I

Key features

- Suitable for exposed and semi-concealed installations
- Parallel and two-way installations possible (Tartan layout)
- Optional punches in the Bandraster profiles enable quick and easy connection with DONN® DX
- Enables easy installation of lightweight, removable partitions

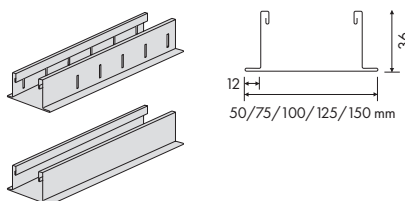
Application areas

- Open plan offices / Individual offices

Physical data

- Material: galvanised steel
- Surface finish: baked polyester paint
- Colour: all products standard in DONN® White

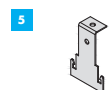
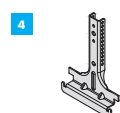
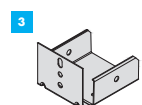
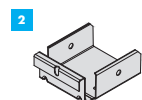
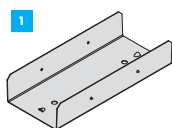
■ DONN® DP Bandraster | Profile



Item reference	Dimensions (mm)				Content/carton		Weight/carton kg	Cartons/pallet
	Length	Width	Height	Slot centres	pcs	lm		
DP 50 unslotted								
DP50-360W	3600	50	36	-	8	28.80	24.00	28
DP50-420W	4200	50	36	-	4	16.80	14.00	56
DP 75 unslotted								
DP75-360W	3600	75	36	-	8	28.80	27.70	20
DP75-420W	4200	75	36	-	4	16.80	16.20	40
DP 100 unslotted								
DP100-360W	3600	100	36	-	8	28.80	31.40	16
DP100-420W	4200	100	36	-	4	16.80	18.30	32
DP100-600W	6000	100	36	-	4	24.00	26.10	32
DP 100 slotted								
DP100-360PW	3600	100	36	300	8	28.80	31.40	16
DP100-375PW	3750	100	36	312.5	8	30.00	32.60	16
DP 125 unslotted								
DP125-360W	3600	125	36	-	8	28.80	38.30	12
DP125-420W	4200	125	36	-	4	16.80	22.30	24
DP125-600W	6000	125	36	-	4	24.00	31.90	24
DP 150 unslotted								
DP150-360W	3600	150	36	-	4	14.40	21.20	20
DP150-420W	4200	150	36	-	4	16.80	24.70	20
DP150-600W	6000	150	36	-	4	24.00	35.30	20

Special colours on request.

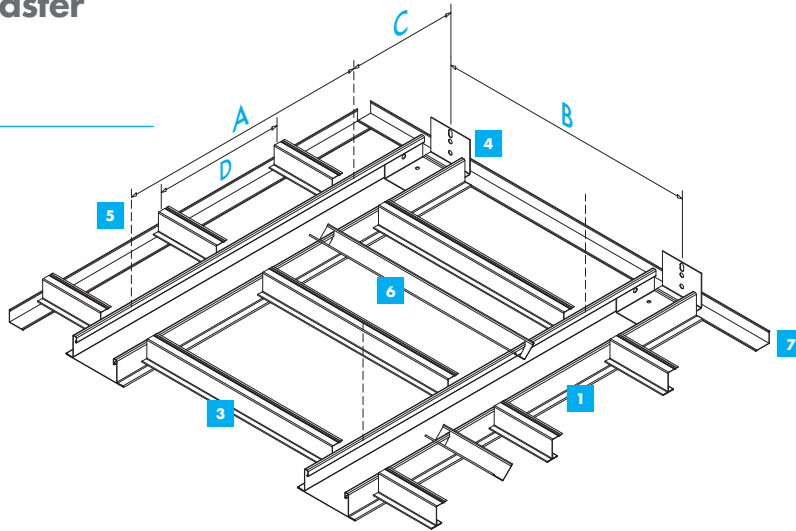
■ DONN® DP Bandraster | Accessories



No.	Item reference	Dimensions (mm) Length	Content/carton pcs	Weight/carton kg	Description
DP 50					
1	P11 DP50	-	100	8.00	BR Splice for BR-DP50
2	P811 DP50	-	100	5.80	BR Cross Connector for BR-DP50
3	P311 DP50	-	100	5.80	BR Wall Connector for BR-DP50
4	P12 DP50	200	100	5.80	Nonius Bottom for BR-DP50
5	SR12 DP50	-	50	1.20	Strip/Rod connector for BR-DP50
DP 75					
1	P21 DP75	-	100	8.30	BR Splice for BR-DP75
2	P812 DP75	-	100	8.10	BR Cross Connector for BR-DP75
3	P312 DP75	-	100	8.10	BR Wall Connector for BR-DP75
4	P14 DP75	150	100	8.10	Nonius Bottom for BR-DP75
5	SR14 DP75	-	50	1.50	Strip/Rod connector for BR-DP75
DP 100					
1	P31 DP100	-	100	14.00	BR Splice for BR-DP100
2	P813 DP100	-	100	11.00	BR Cross Connector for BR-DP100
3	P313 DP100	-	100	11.00	BR Wall Connector for BR-DP100
4	P18 DP100	150	100	11.00	Nonius Bottom for BR-DP100
5	SR18 DP100	-	50	1.80	Strip/Rod connector for BR-DP100
DP 125					
1	P41 DP125	-	100	17.00	BR Splice for BR-DP125
2	P814 DP125	-	100	12.50	BR Cross Connector for BR-DP125
3	P314 DP125	-	100	12.50	BR Wall Connector for BR-DP125
4	P22 DP125	150	100	12.50	Nonius Bottom for BR-DP125
DP 150					
1	P51 DP150	-	100	19.50	BR Splice for BR-DP150
2	P851 DP150	-	50	7.50	BR Cross Connector for BR-DP150
3	P315 DP150	-	50	7.50	BR Wall Connector for BR-DP150
4	P24 DP150	150	100	15.00	Nonius Bottom for BR-DP150

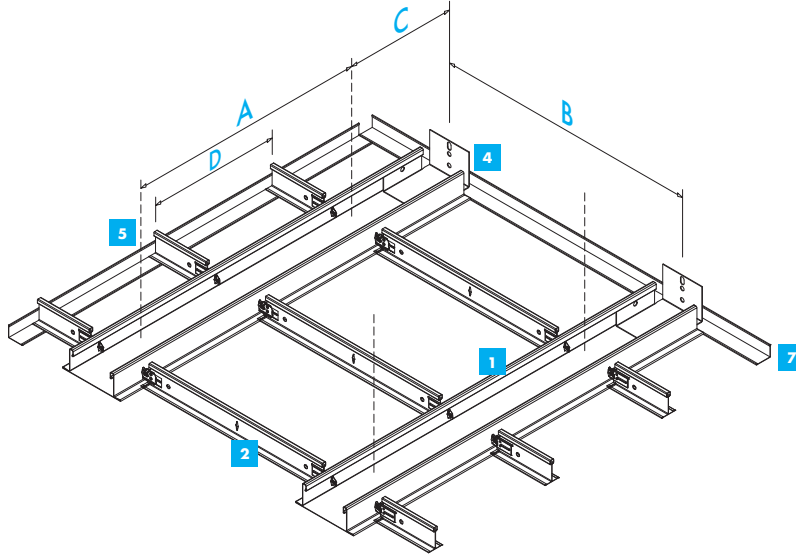
System Drawing - System I

System I2



Ref. Distance (mm)
 A max. 1200
 B max. 2500
 C max. 600
 D 300

System I3















Ref. Distance (mm)
 A max. 1200
 B max. 2500
 C max. 600
 D 300

■ **Material required for DP100 grid structure (per m² ceiling area)¹⁾**

No.	Description	Item reference	Module 1800 x 300
1	Main Runner	DP100-60	0.56 m
2	Cross Tee	DX24	3.18 m
3	Z-Profile	DCZ30 1800	3.18 m
4	Wall connector	P313	ca. 0.18 pieces
5	Hanger	P18	0.70 pieces
6	Spacer bar	DMK	0.53 m
7	Perimeter trim	-	Dependent on the room dimensions (approx. 0.6 lm/m²)

¹⁾ All figures are approximate without allowing for waste.

Fire reaction		Euroclass A1 as per EN 13501-1	RUS KMO (NG) / KM1 (G1, V1, D1, T1) as per 123-FZ
Indoor air quality		 A+  ISO 3	
Cleanability	  		
Sustainability	 up to 25%  EPD 		
Design options	 		

All measurements in millimetres. All sizes are nominal.

Products may vary from country to country. Please contact your local sales representative.

For further information and legal notice, please visit our website.

knaufceilingsolutions.com

General Applications

DONN® Perimeter Trims

Perimeter trims for standard perimeter solutions with mineral and wood ceilings

Key features

- Comprehensive range including angle trims, shadowline trims, channels and F-upstand trims

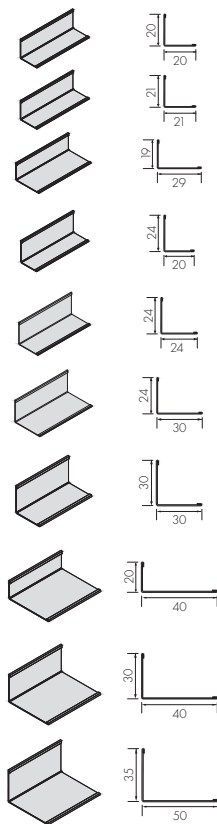
Application areas

- All ceilings - Perimeters

Physical data

- Material: steel
- Surface finish: baked polyester paint
- Colour: all products standard in DONN® White
- Other standard colours available on popular items

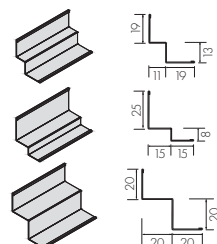
■ DONN® Perimeter Trims | L-trims



Item reference	Dimensions (mm)		Content/carton		Weight/carton kg	Cartons/pallet
	Length	Thickness	pcs	lm		
MIE20205W ^[1]	3000	0.475	40	120	22.1	60
MIE2121W ^{[1][2]}	3000	0.475	25	75	13.5	80
MIE1929W	3000	0.475	40	120	24.4	60
MIE2024W ^[2]	3000	0.475	40	120	23.5	60
MIE2024KB ^[4]	3000	0.475	40	120	26.1	60
MI2024W	3000	0.475	40	120	23.5	60
MI2424W	3000	0.475	20	60	10.8	80
MIE2430W	3000	0.475	30	90	26.6	60
MIE3030W ^{[1][2]}	3000	0.475	30	90	25.2	40
M3030X ^[3]	3000	0.600	20	60	19.5	60
MI31W	3000	1.000	12	36	20.2	80
MI4020W	3000	0.700	20	60	23	98
MI4030W	3000	0.700	20	60	13.0	90
MI5035W	3000	0.700	16	48	25.2	64

Available in ^[1] Matt Black ^[2] Metal O6 ^[3] galvanized. Special colours on request.
^[4] Corrosion resistant version.

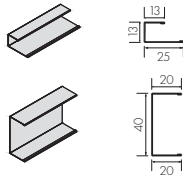
■ DONN® Perimeter Trims | W-trims



Item reference	Dimensions (mm)		Content/carton		Weight/carton kg	Cartons/pallet
	Length	Thickness	pcs	lm		
MS10W	3000	0.475	30	90	23.2	90
MS15W ^{[1][2]}	3000	0.475	30	90	23.5	98
MS14W	3000	0.700	15	45	21.3	48
MSG14W ^[8]	3000	0.700	15	45	20.4	56

Available in ^[1] Matt Black ^[2] Metal O6. Special colours on request.
^[8] Slotted for air circulation.

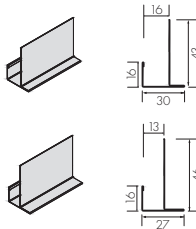
■ **DONN® Perimeter Trims | C-trims**



Item reference	Dimensions (mm)		Content/carton		Weight/carton kg	Cartons/ pallet
	Length	Thickness	pcs	lm		
MUS8W	3000	0.475	50	150	35.5	24
MUS225W ^[4]	3000	0.475	30	90	27.5	24
MUS225WKB ^[4]	3000	0.475	30	90	28.0	24

Available in ^[4] RAL 9010. Special colours on request.
^[4] Corrosion resistant version.

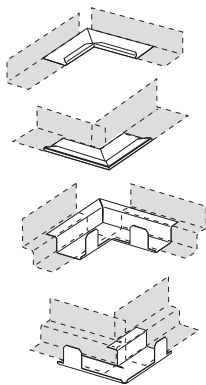
■ **DONN® Perimeter Trims | F-trims**



Item reference	Dimensions (mm)		Content/carton		Weight/carton kg	Cartons/ pallet
	Length	Thickness	pcs	lm		
MF10W	3000	0.475	20	60	22.8	24
MF8W ^[1]	3000	0.475	20	60	22.8	24

Available in ^[1] Matt Black. Special colours on request.

■ **DONN® Perimeter Trims | Accessories**



Item reference	Content / carton pcs	Weight / carton kg	Description
JS16 DX	100	2.0	Perimeter L Inner Corner 20 mm or 21 mm DONN® White
JS14 DX	100	2.0	Perimeter L Outer Corner 20 mm or 21 mm DONN® White
JS20 DX	100	3.1	Perimeter W Inner Corner 20x20x20 DONN® White
JS22 DX	100	3.1	Perimeter W Outer Corner 20x20x20 DONN® White
JS28 DX	100	1.8	Perimeter W Inner Corner 15x8x15 DONN® White
JS24 DX	100	1.8	Perimeter W Outer Corner 15x8x15 DONN® White

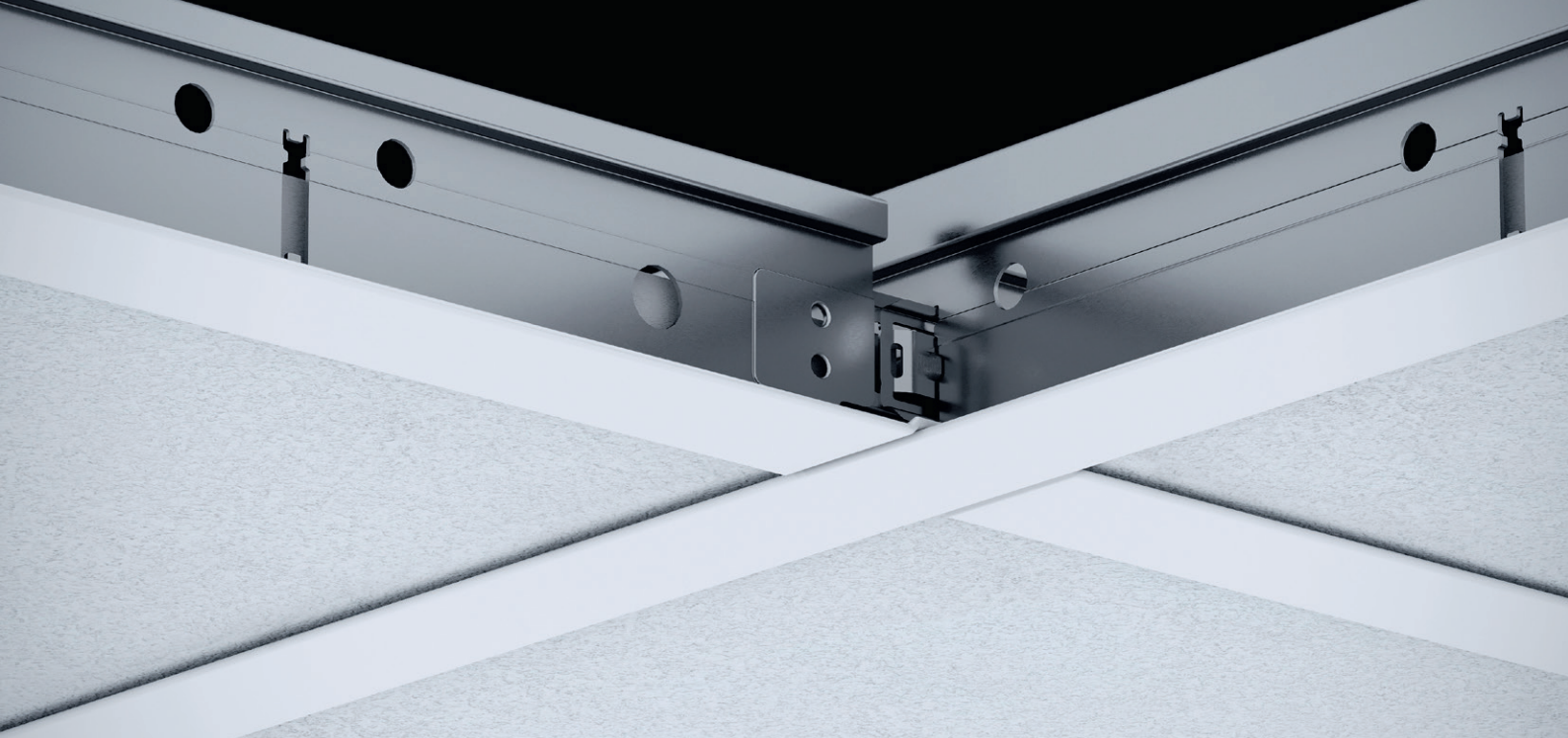
Fire reaction		Euroclass A1 as per EN 13501-1	RUS KMO (NG) / KM1 (G1, V1, D1, T1) as per 123-FZ
Indoor air quality		A+ ISO 3	
Cleanability			
Sustainability		EN ISO 14001 EN ISO 14025 EPD up to 25%	
Design options			

All measurements in millimetres. All sizes are nominal.

VENTATEC®

BEST QUALITY, MAXIMUM FLEXIBILITY AND HASSLE-FREE PROCESSING

This traditional brand for substructures combines top quality, maximum flexibility and ease of installation. With VENTATEC® and when utilizing stainless steel connectors, a very stable and resilient connection between main and cross rails can be created. The audible "click" indicates the construction safety of the installation. Thanks to its modularity, VENTATEC® can be adapted to almost all aesthetic and functional requirements of Knauf Ceiling Solutions ceilings and forms. Together with the respective ceiling panels, a high-performance system solution for various different applications is achieved.



	VENTATEC T15 - HIGH SG	VENTATEC T24 GK	VENTATEC T24 - HIGH GK	VENTATEC T24 SG	VENTATEC T24 - HIGH SG
Board	●	●	●	●	●
Tegular 15	●				
Tegular 24		●	●	●	●
Tegular 15/90	●				
Tegular 24/90		●	●	●	●
Tegular 15/90S	●				
K4C4					
K2C2					
SL2					
FINESSE					
VECTOR		●	●		

AMF VENTATEC® Performance T15 - High | SG

Exposed 15 mm grid system - System C

Key features

- Stable and secure with a finer, more elegant appearance with 15 mm visible profiles
- High loading capacity due to 38 mm high Main Runners and Cross Tees
- The combination of stitching and ribbing delivers excellent stability and torsional strength
- The riveted stainless steel Click-connector audibly clicks in place and can be easily removed when required
- Butt cut Cross Tee system preferred for precise flush connection of the grid face

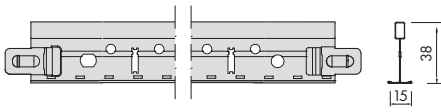
Application areas

- Healthcare / Classrooms / Meeting rooms / Individual offices

Physical data

- Material: galvanised steel
- Surface finish: baked polyester paint
- Colour: AMF VENTATEC® White; Matt Black (LM) on request

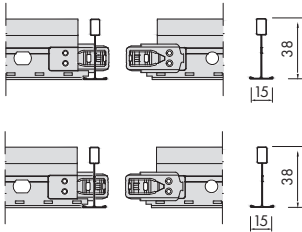
AMF VENTATEC® Performance T15 - High | Universal Main Runners (bulb-to-bulb connection)



Item reference	Dimensions (mm)				Content/carton		Weight/carton kg	Cartons/pallet
	Length	Width	Height	Slot centres	pcs	lm		
VEN15TH375W	3750	15	38	156.25	20	75.00	21.00	42
VEN15TH360W	3600	15	38	150	20	72.00	20.20	42

Available in Matt Black (LM) for an additional charge. Special colours on request.

AMF VENTATEC® Performance T15 - High | Cross Tees (click - butt cut SG)



Cross Tees - Slotted								
VEN15TH125SGW	1250	15	38	312.5	60	75.00	21.00	90
VEN15TH120SGW	1200	15	38	300	60	72.00	20.20	90
VEN15TH62,5SGW	625	15	38	312.5	60	37.50	10.50	140
VEN15TH60SGW	600	15	38	300	60	36.00	10.10	140

Available in Matt Black (LM) for an additional charge. Special colours on request.

Cross Tees - Unslotted								
VEN15TH30SGW	300	15	38	-	120	36.00	10.10	140

Available in Matt Black (LM) for an additional charge. Special colours on request.

Section Drawings

AMF VENTATEC® Performance T15 - High | Universal Main Runners (bulb-to-bulb connection)

Length	78.125	156.25	21 x 156.25	156.25	78.125
3750					
3600	75	150	21 x 150	150	75

AMF VENTATEC® Performance T15 - High | Cross Tees (click - butt cut SG)

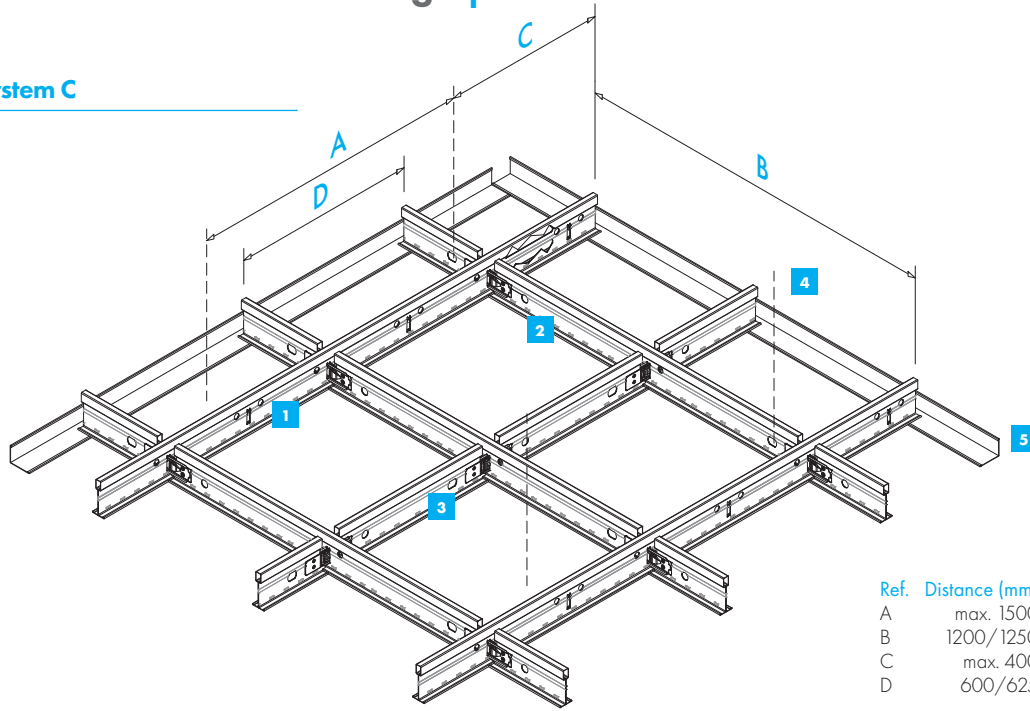
Length	312.5	2 x 312.5	312.5
1250			
1200	300	2 x 300	300

Length	312.5	312.5
625		
600	300	300

Length	300

AMF VENTATEC® Performance T15 - High | SG

System Drawing - System C



Ref.	Distance (mm)
A	max. 1500
B	1200/1250
C	max. 400
D	600/625

Material required per m² (no waste included)

No.	Description	Item reference	Module 600 x 600	Module 625 x 625	Module 1200 x 600	Module 1250 x 625
1	Main Runner	VEN 15TH360W VEN 15TH375W	0.84 lm -	- 0.80 lm	0.84 lm -	- 0.80 lm
2	Long Cross Tee	VEN 15TH120SGW VEN 15TH125SGW	1.67 lm -	- 1.60 lm	1.67 lm -	- 1.60 lm
3	Short Cross Tee	VEN 15TH60SGW VEN 15TH62,5SGW	0.84 lm -	- 0.80 lm	- -	- -
4	Hanger	-	0.70 pcs	0.64 pcs	0.70 pcs	0.64 pcs
	Retaining Clip	-	5.56 pcs	5.56 pcs	5.56 pcs	5.56 pcs
	Tiles	-	2.78 pcs	2.56 pcs	1.39 pcs	1.28 pcs
5	Perimeter Trim	-	Dependent on room dimensions (approx. 0.6 lm/m ²)			

Load Table | Maximum permissible weight (kg/m²)

Main Runner distances	1200 mm	1250 mm	600 mm	625 mm
Hanger distance A (mm)	Module 600x600, 1200x600	Module 625x625, 1250x625	Module 600x600, 1200x600	Module 625x625, 1250x625
800	12.2	10.8	25.0	25.0
1000	10.4	9.4	25.0	24.2
1200	8.5	7.8	15.4	14.8
1500	5.4	5.2	8.0	7.7

Note:
The load per m² must be evenly distributed (no extra point loads).
After loading, the deflection will remain within the permitted deflection according to class 1 (L/500) of EN 13964, provided the grid is laid out as shown.

For other grid layouts, load capacities or hanger distances, please contact Knauf Ceiling Solutions.

Fire reaction		Euroclass A1 as per EN 13501-1	RUS KMO (NG) / KM1 (G1, V1, D1, T1) as per 123-FZ
Indoor air quality		 A+	 ISO 3
Cleanability			
Sustainability		 EN ISO 14021 up to 25%	 EN ISO 14025 Cradle to cradle BLEN
Design options			

All measurements in millimetres. All sizes are nominal.
Cross Tee alignment is achieved by locating the tees to the left-hand side of the adjoining section.

Products may vary from country to country. Please contact your local sales representative.
For further information and legal notice, please visit our website.
knaufceilingssolutions.com

AMF VENTATEC® Performance T24 | GK

Exposed 24 mm grid system - System C

Key features

- The combination of stitching and ribbing delivers excellent stability and torsional strength
- The riveted stainless steel Click-connector audibly clicks in place and can be easily removed when required
- Joggled Cross Tees override the Main Runners; preventing twisting of the Cross Tees

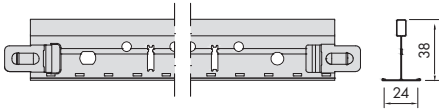
Application areas

- Healthcare / Classrooms / Meeting rooms / Individual offices

Physical data

- Material: galvanised steel
- Surface finish: baked polyester paint
- Colour: AMF VENTATEC® White; Matt Black (LM) on request

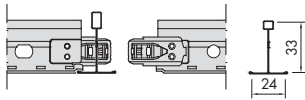
AMF VENTATEC® Performance T24 | Universal Main Runners (bulb-to-bulb connection)



Item reference	Dimensions (mm)				Content/carton		Weight/carton kg	Cartons/pallet
	Length	Width	Height	Slot centres	pcs	lm		
VEN24TH375W	3750	24	38	156.25	20	75.00	24.00	36
VEN24TH360W	3600	24	38	150	20	72.00	23.00	36

Available in Matt Black (LM) for an additional charge. Special colours on request.

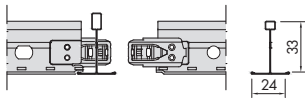
AMF VENTATEC® Performance T24 | Cross Tees (click - joggled GK)



Cross Tees - Slotted

VEN24TM125GKW	1250	24	33	312.5	60	75.00	22.50	60
VEN24TM120GKW	1200	24	33	300	60	72.00	21.60	60
VEN24TM62,5GKW	625	24	33	312.5	60	37.50	11.30	100
VEN24TM60GKW	600	24	33	300	60	36.00	10.80	100

Available in Matt Black (LM) for an additional charge. Special colours on request.



Cross Tees - Unslotted

VEN24TM31,25GKW	312.5	24	33	-	120	37.50	11.30	100
VEN24TM30GKW	300	24	33	-	120	36.00	10.80	100

Available in Matt Black (LM) for an additional charge. Special colours on request.

Section Drawings

AMF VENTATEC® Performance T24 | Universal Main Runners (bulb-to-bulb connection)

Length	78.125	156.25	21 x 156.25	156.25	78.125
3750					
3600	75	150	21 x 150	150	75

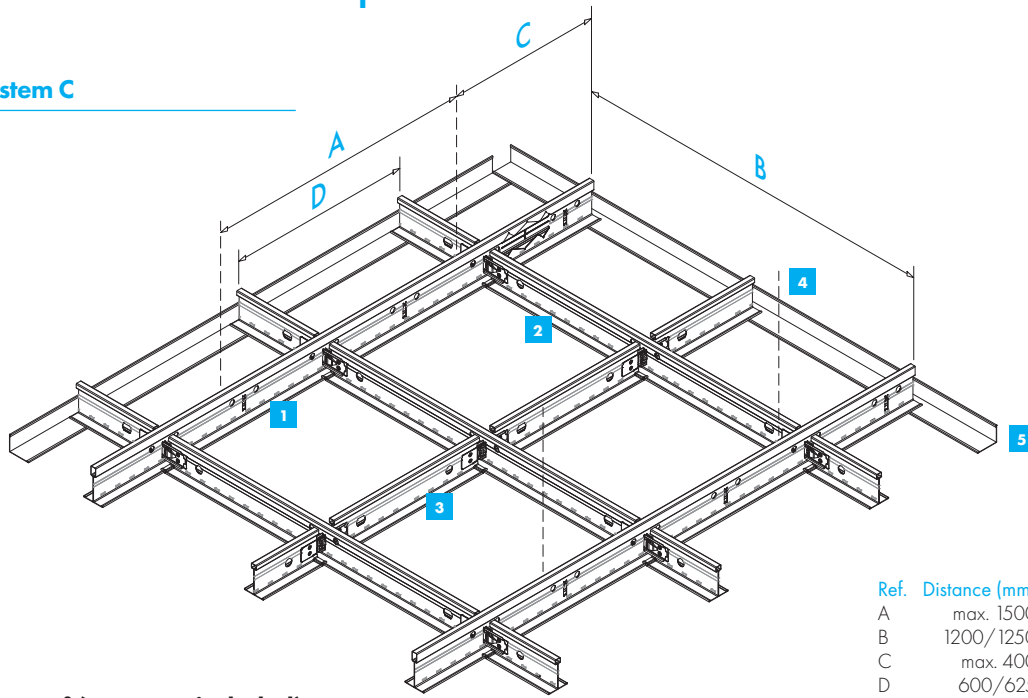
AMF VENTATEC® Performance T24 | Cross Tees (click - joggled GK)

Length	312.5	2 x 312.5	312.5
1250			
1200	300	2 x 300	300

Length	312.5	312.5
625		
600	300	300

Length	312.5 / 300
625	
600	

System Drawing - System C



Ref.	Distance (mm)
A	max. 1500
B	1200/1250
C	max. 400
D	600/625

Material required per m² (no waste included)

No.	Description	Item reference	Module 600 x 600	Module 625 x 625	Module 1200 x 600	Module 1250 x 625
1	Main Runner	VEN24TH360W VEN24TH375W	0.84 lm	- 0.80 lm	0.84 lm	- 0.80 lm
2	Long Cross Tee	VEN24TM120GKW VEN24TM125GKW	1.67 lm	- 1.60 lm	1.67 lm	- 1.60 lm
3	Short Cross Tee	VEN24TM60GKW VEN24TM62,5GKW	0.84 lm	- 0.80 lm	-	-
4	Hanger	-	0.70 pcs	0.64 pcs	0.70 pcs	0.64 pcs
	Retaining Clip	-	5.56 pcs	5.56 pcs	5.56 pcs	5.56 pcs
	Tiles	-	2.78 pcs	2.56 pcs	1.39 pcs	1.28 pcs
5	Perimeter trim	-	Dependent on room dimensions (approx. 0.6 lm/m ²)			

Load Table | Maximum permissible weight (kg/m²)

Main Runner distances Hanger distance A (mm)	1200 mm	1250 mm	600 mm	625 mm
	Module 600x600, 1200x600	Module 625x625, 1250x625	Module 600x600, 1200x600	Module 625x625, 1250x625
800	10.1	8.6	25.0	25.0
1000	8.7	7.3	25.0	25.0
1200	7.3	6.4	17.5	16.6
1500	4.8	4.4	9.6	9.2

Note:
The load per m² must be evenly distributed (no extra point loads).
After loading, the deflection will remain within the permitted deflection according to class 1 (L/500) of EN 13964, provided the grid is laid out as shown.

For other grid layouts, load capacities or hanger distances, please contact Knauf Ceiling Solutions.

Fire reaction		Euroclass A1 as per EN 13501-1	RUS KMO (NG) / KM1 (G1, V1, D1, T1) as per 123-FZ
Indoor air quality		 A+	 ISO 3
Cleanability			
Sustainability		 EN ISO 14001	 EN ISO 14025
Design options			

All measurements in millimetres. All sizes are nominal.
Cross Tee alignment is achieved by locating the tees to the left-hand side of the adjoining section.

Products may vary from country to country. Please contact your local sales representative.
For further information and legal notice, please visit our website.
knaufceilingssolutions.com

AMF VENTATEC® Performance T24 - High | GK

Exposed 24 mm grid system - System C

Key features

- The combination of stitching and ribbing delivers excellent stability and torsional strength
- High loading capacity due to 38 mm high Main Runners and Cross Tees
- The riveted stainless steel Click-connector audibly clicks in place and can be easily removed when required
- Joggled Cross Tees override the Main Runners; preventing twisting of the Cross Tees

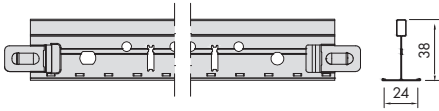
Application areas

- Healthcare / Classrooms / Meeting rooms / Individual offices

Physical data

- Material: galvanised steel
- Surface finish: baked polyester paint
- Colour: AMF VENTATEC® White; Matt Black (LM) on request

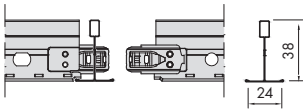
AMF VENTATEC® Performance T24 - High | Universal Main Runners (bulb-to-bulb connection)



Item reference	Dimensions (mm)				Content/carton		Weight/carton kg	Cartons/pallet
	Length	Width	Height	Slot centres	pcs	lm		
VEN24TH375W	3750	24	38	156.25	20	75.00	24.00	36
VEN24TH360W	3600	24	38	150	20	72.00	23.00	36

Available in Matt Black (LM) for an additional charge. Special colours on request.

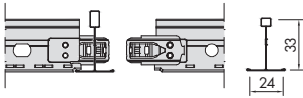
AMF VENTATEC® Performance T24 - High | Cross Tees (click - joggled GK)



Cross Tees - Slotted

VEN24TH125GKW	1250	24	38	312.5	60	75.00	23.40	60
VEN24TH120GKW	1200	24	38	300	60	72.00	22.00	60
VEN24TM62,5GKW	625	24	33	312.5	60	37.50	10.80	100
VEN24TM60GKW	600	24	33	300	60	36.00	10.20	100

Available in Matt Black (LM) for an additional charge. Special colours on request.



Cross Tees - Unslotted

VEN24TM31,25GKW	312.5	24	33	-	120	37.50	10.80	100
VEN24TM30GKW	300	24	33	-	120	36.00	10.20	100

Available in Matt Black (LM) for an additional charge. Special colours on request.

Section Drawings

AMF VENTATEC® Performance T24 - High | Universal Main Runners (bulb-to-bulb connection)

Length	78.125	156.25	21 x 156.25	156.25	78.125
3750					
3600	75	150	21 x 150	150	75

AMF VENTATEC® Performance T24 - High | Cross Tees (click - joggled GK)

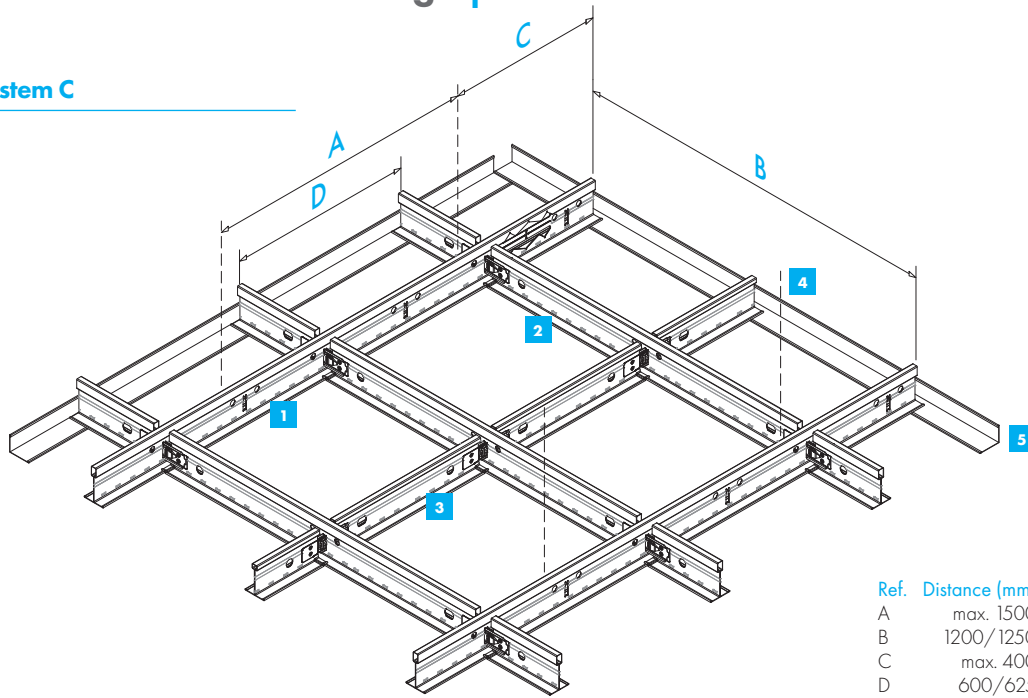
Length	312.5	2 x 312.5	312.5
1250			
1200	300	2 x 300	300

Length	312.5	312.5
625		
600	300	300

Length	312.5 / 300
625	
600	

AMF VENTATEC® Performance T24 - High | GK

System Drawing - System C



Ref.	Distance (mm)
A	max. 1500
B	1200/1250
C	max. 400
D	600/625

Material required per m² (no waste included)

No.	Description	Item reference	Module 600 x 600	Module 625 x 625	Module 1200 x 600	Module 1250 x 625
1	Main Runner	VEN24TH360W	0.84 lm	-	0.84 lm	-
		VEN24TH375W	-	0.80 lm	-	0.80 lm
2	Long Cross Tee	VEN24TH120GKW	1.67 lm	-	1.67 lm	-
		VEN24TH125GKW	-	1.60 lm	-	1.60 lm
3	Short Cross Tee	VEN24TM60GKW	0.84 lm	-	-	-
		VEN24TM62,5GKW	-	0.80 lm	-	-
4	Hanger	-	0.70 pcs	0.64 pcs	0.70 pcs	0.64 pcs
	Retaining Clip	-	5.56 pcs	5.56 pcs	5.56 pcs	5.56 pcs
	Tiles	-	2.78 pcs	2.56 pcs	1.39 pcs	1.28 pcs
5	Perimeter Trim		Dependent on room dimensions (approx. 0.6 lm/m ²)			

Load Table | Maximum permissible weight (kg/m²)

Main Runner distances	1200 mm	1250 mm	600 mm	625 mm
Hanger distance A (mm)	Module 600x600, 1200x600	Module 625x625, 1250x625	Module 600x600, 1200x600	Module 625x625, 1250x625
800	14.0	12.2	25.0	25.0
1000	11.8	10.2	25.0	25.0
1200	9.5	8.4	17.5	16.6
1500	5.8	5.2	9.6	9.2

Note:
The load per m² must be evenly distributed (no extra point loads).
After loading, the deflection will remain within the permitted deflection according to class 1 (L/500) of EN 13964, provided the grid is laid out as shown.

For other grid layouts, load capacities or hanger distances, please contact Knauf Ceiling Solutions.

Fire reaction	Euroclass A1 as per EN 13501-1	RUS KMO (NG) / KM1 (G1, V1, D1, T1) as per 123-FZ
Indoor air quality	A+ ISO 3	
Cleanability		
Sustainability	up to 25%	
Design options		

All measurements in millimetres. All sizes are nominal.
Cross Tee alignment is achieved by locating the tees to the left-hand side of the adjoining section.

Products may vary from country to country. Please contact your local sales representative.
For further information and legal notice, please visit our website.
knaufceilingssolutions.com

AMF VENTATEC® Performance T24 | SG

Exposed 24 mm grid system - System C

Key features

- The combination of stitching and ribbing delivers excellent stability and torsional strength
- The riveted stainless steel Click-connector audibly clicks in place and can be easily removed when required
- Butt cut Cross Tee system preferred for precise flush connection of the grid face

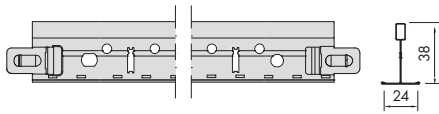
Application areas

- Healthcare / Classrooms / Meeting Rooms / Individual offices

Physical data

- Material: galvanised steel
- Surface finish: baked polyester paint
- Colour: AMF VENTATEC® White; Matt Black (LM) on request

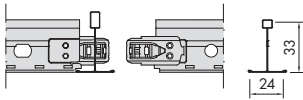
AMF VENTATEC® Performance T24 | Universal Main Runners (bulb-to-bulb connection)



Item reference	Dimensions (mm)				Content/carton		Weight/carton kg	Cartons/pallet
	Length	Width	Height	Slot centres	pcs	lm		
VEN24TH375W	3750	24	38	156.25	20	75.00	24.00	36
VEN24TH360W	3600	24	38	150	20	72.00	23.00	36

Special colours on request.

AMF VENTATEC® Performance T24 | Cross Tees (click – butt cut SG)



Cross Tees - Slotted								
VEN24TM125SGW	1250	24	33	312.5	60	75.00	21.60	60
VEN24TM120SGW	1200	24	33	300	60	72.00	20.40	60
VEN24TM62,5SGW	625	24	33	312.5	60	37.50	10.80	100
VEN24TM60SGW	600	24	33	300	60	36.00	10.20	100

Special colours on request.

Section Drawings

AMF VENTATEC® Performance T24 | Universal Main Runners (bulb-to-bulb connection)

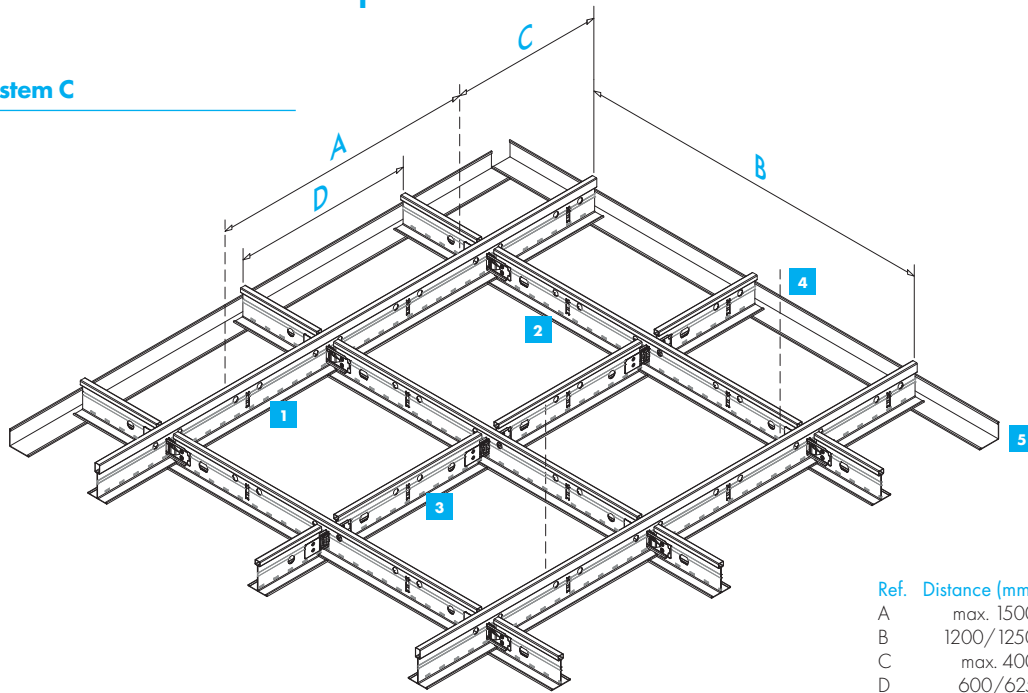
Length	78.125	156.25	21 x 156.25	156.25	78.125
3750					
3600	75	150	21 x 150	150	75

AMF VENTATEC® Performance T24 | Cross Tees (click – butt cut SG)

Length	312.5	2 x 312.5	312.5
1250			
1200	300	2 x 300	300

Length	312.5	312.5
625		
600	300	300

System Drawing - System C



Ref.	Distance (mm)
A	max. 1500
B	1200/1250
C	max. 400
D	600/625

Material required per m² (no waste included)

No.	Description	Item reference	Module 600 x 600	Module 625 x 625	Module 1200 x 600	Module 1250 x 625
1	Main Runner	VEN24TH360W VEN24TH375W	0.84 lm	- 0.80 lm	0.84 lm	- 0.80 lm
2	Long Cross Tee	VEN24TM120SGW VEN24TM125SGW	1.67 lm	- 1.60 lm	1.67 lm	- 1.60 lm
3	Short Cross Tee	VEN24TM60SGW VEN24TM62,5SGW	0.84 lm	- 0.80 lm	-	-
4	Hanger	-	0.70 pcs	0.64 pcs	0.70 pcs	0.64 pcs
	Retaining Clip	-	5.56 pcs	5.56 pcs	5.56 pcs	5.56 pcs
	Tiles	-	2.78 pcs	2.56 pcs	1.39 pcs	1.28 pcs
5	Perimeter Trim	-	Dependent on room dimensions (approx. 0.6 lm/m ²)			

Load Table | Maximum permissible weight (kg/m²)

Main Runner distances Hanger distance A (mm)	1200 mm	1250 mm	600 mm	625 mm
	Module 600x600, 1200x600	Module 625x625, 1250x625	Module 600x600, 1200x600	Module 625x625, 1250x625
800	10.1	8.6	25.0	25.0
1000	8.7	7.3	25.0	25.0
1200	7.3	6.4	17.5	16.6
1500	4.8	4.4	9.6	9.2

Note:
The load per m² must be evenly distributed (no extra point loads).
After loading, the deflection will remain within the permitted deflection according to class 1 (L/500) of EN 13964, provided the grid is laid out as shown.

For other grid layouts, load capacities or hanger distances, please contact Knauf Ceiling Solutions.

Fire reaction		Euroclass A1 as per EN 13501-1	RUS KMO (NG) / KM1 (G1, V1, D1, T1) as per 123-FZ
Indoor air quality		 A+	 ISO 3
Cleanability			
Sustainability		 EN ISO 14001	 EN ISO 14025 EN ISO 14001
Design options			

All measurements in millimetres. All sizes are nominal.
Cross Tee alignment is achieved by locating the tees to the left-hand side of the adjoining section.

Products may vary from country to country. Please contact your local sales representative.
For further information and legal notice, please visit our website.
knaufceilingssolutions.com

AMF VENTATEC® Performance T24 - High | SG

Exposed 24 mm grid system - System C

Key features

- The combination of stitching and ribbing delivers excellent stability and torsional strength
- The riveted stainless steel Click-connector audibly clicks in place and can be easily removed when required
- High loading capacity due to 38 mm high Main Runners and Cross Tees
- Butt cut Cross Tee system preferred for precise flush connection of the grid face

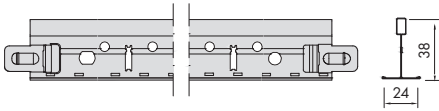
Application areas

- Healthcare / Classrooms / Meeting rooms / Individual offices

Physical data

- Material: galvanised steel
- Surface finish: baked polyester paint
- Colour: AMF VENTATEC® White; Matt Black (LM) on request

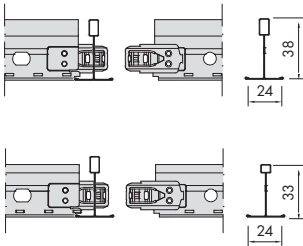
AMF VENTATEC® Performance T24 - High | Universal Main Runners (bulb-to-bulb connection)



Item reference	Dimensions (mm)				Content/carton		Weight/carton kg	Cartons/pallet
	Length	Width	Height	Slot centres	pcs	lm		
VEN24TH375W	3750	24	38	156.25	20	75.00	24.00	36
VEN24TH360W	3600	24	38	150	20	72.00	23.00	36

Special colours on request.

AMF VENTATEC® Performance T24 - High | Cross Tees (click - butt cut SG)



Cross Tees - Slotted									
VEN24TH125SGW	1250	24	38	312.5	60	75.00	23.00	60	
VEN24TH120SGW	1200	24	38	300	60	72.00	22.00	60	
VEN24TM62,5SGW	625	24	33	312.5	60	37.50	10.80	100	
VEN24TM60SGW	600	24	33	300	60	36.00	10.20	100	

Special colours on request.

Section Drawings

AMF VENTATEC® Performance T24 - High | Universal Main Runners (bulb-to-bulb connection)

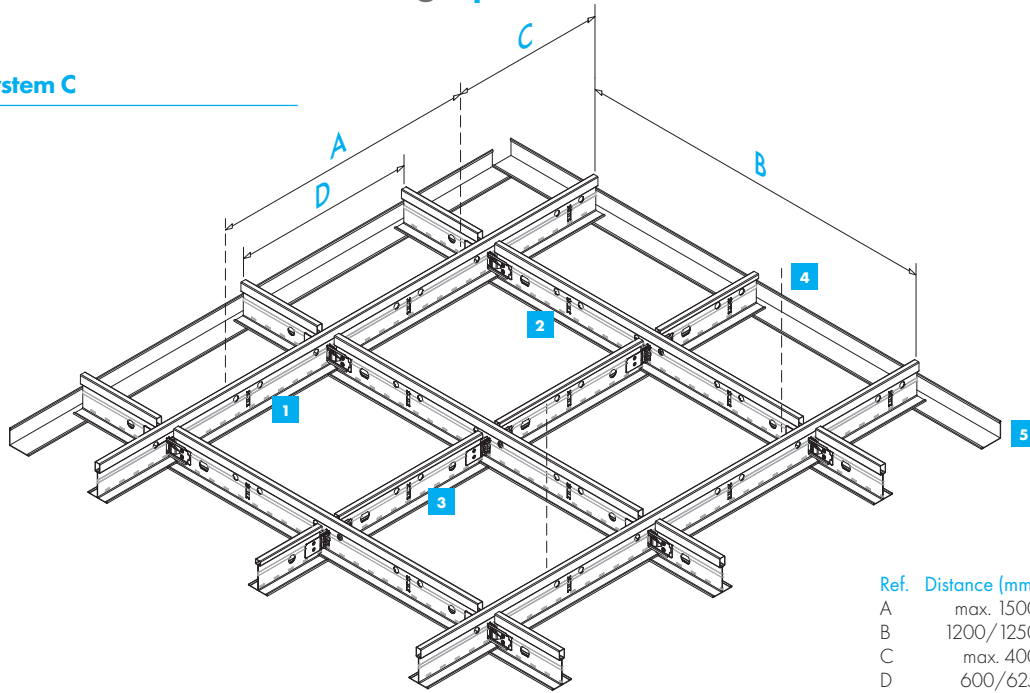
Length	78.125	156.25	21 x 156.25	156.25	78.125
3750					
3600	75	150	21 x 150	150	75

AMF VENTATEC® Performance T24 - High | Cross Tees (click - butt cut SG)

Length	312.5	2 x 312.5	312.5
1250			
1200	300	2 x 300	300

Length	312.5	312.5
625		
600	300	300

System Drawing - System C



Ref.	Distance (mm)
A	max. 1500
B	1200/1250
C	max. 400
D	600/625

Material required per m² (no waste included)

No.	Description	Item reference	Module 600 x 600	Module 625 x 625	Module 1200 x 600	Module 1250 x 625
1	Main Runner	VEN24TH360W VEN24TH375W	0.84 lm -	- 0.80 lm	0.84 lm -	- 0.80 lm
2	Long Cross Tee	VEN24TH120SGW VEN24TH125SGW	1.67 lm -	- 1.60 lm	1.67 lm -	- 1.60 lm
3	Short Cross Tee	VEN24TM60SGW VEN24TM62,5SGW	0.84 lm -	- 0.80 lm	- -	- -
4	Hanger	-	0.70 pcs	0.64 pcs	0.70 pcs	0.64 pcs
	Retaining Clip	-	5.56 pcs	5.56 pcs	5.56 pcs	5.56 pcs
	Tiles	-	2.78 pcs	2.56 pcs	1.39 pcs	1.28 pcs
5	Perimeter Trim	-	Dependent on room dimensions (approx. 0.6 lm/m ²)			

Load Table | Maximum permissible weight (kg/m²)

Main Runner distances	1200 mm	1250 mm	600 mm	625 mm
Hanger distance A (mm)	Module 600x600, 1200x600	Module 625x625, 1250x625	Module 600x600, 1200x600	Module 625x625, 1250x625
800	14.0	12.2	25.0	25.0
1000	11.8	10.2	25.0	25.0
1200	9.5	8.4	17.5	16.6
1500	5.8	5.2	9.6	9.2

Note:
The load per m² must be evenly distributed (no extra point loads).
After loading, the deflection will remain within the permitted deflection according to class 1 (L/500) of EN 13964, provided the grid is laid out as shown.

For other grid layouts, load capacities or hanger distances, please contact Knauf Ceiling Solutions.

Fire reaction		Euroclass A1 as per EN 13501-1	RUS KMO (NG) / KM1 (G1, V1, D1, T1) as per 123-FZ
Indoor air quality	 A+ ISO 3		
Cleanability			
Sustainability	 up to 25%		
Design options			

All measurements in millimetres. All sizes are nominal.
Cross Tee alignment is achieved by locating the tees to the left-hand side of the adjoining section.

Products may vary from country to country. Please contact your local sales representative.
For further information and legal notice, please visit our website.
knaufceilingssolutions.com

AMF VENTATEC® Perimeter Trims

Perimeter trims for standard perimeter solutions with mineral and wood ceilings

Key features

- Comprehensive range including angle trims, shadowline trims and F-upstand trims

Application areas

- All ceilings - Perimeters

Physical data

- Material: steel
- Surface finish: baked polyester paint
- Colour: AMF VENTATEC® White; Matt Black (LM) on request

■ AMF VENTATEC® Perimeter Trims | L-trims



Item reference	Dimensions (mm)		Content/carton		Weight/carton kg	Cartons/pallet
	Length	Thickness	pcs	lm		
RWL1924W	3000	0.50	40	120	20.0	35



RWL2424W	3000	0.50	40	120	21.6	35
----------	------	------	----	-----	------	----

Special colours on request.

■ AMF VENTATEC® Perimeter Trims | W-trims



Item reference	Dimensions (mm)		Content/carton		Weight/carton kg	Cartons/pallet
	Length	Thickness	pcs	lm		
RWW1508W	3000	0.475	30	90	23.2	49



RWW2020W	3000	0.65	15	45	21.3	56
----------	------	------	----	----	------	----

Special colours on request.

■ AMF VENTATEC® Perimeter Trims | F-trims



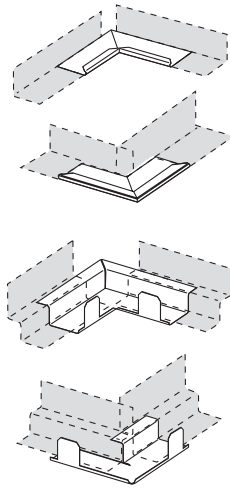
Item reference	Dimensions (mm)		Content/carton		Weight/carton kg	Cartons/pallet
	Length	Thickness	pcs	lm		
RWF MF8	3000	0.475	20	60	22.8	24
















RWF MF10	3000	0.475	20	60	22.8	24
----------	------	-------	----	----	------	----

Special colours on request.

■ **AMF VENTATEC® Perimeter Trims | Accessories**



Item reference	Description
JS13 VEN	Perimeter L Inner Corner 19mm VENTATEC® White
JS11 VEN	Perimeter L Outer Corner 19mm VENTATEC® White
JS17 VEN	Perimeter L Inner Corner 24mm VENTATEC® White
JS15 VEN	Perimeter L Outer Corner 24mm VENTATEC® White
JS28 VEN	Perimeter W Inner Corner 15x8x15 VENTATEC® White
JS24 VEN	Perimeter W Outer Corner 15x8x15 VENTATEC® White

Fire reaction		Euroclass A1 as per EN 13501-1	RUS KMO (NG) / KM1 (G1, V1, D1, T1) as per 123-FZ
Indoor air quality		 A+  ISO 3	
Cleanability	  		
Sustainability	  	EN ISO 14001 EN ISO 14025 up to 25%	
Design options	 		

All measurements in millimetres. All sizes are nominal.

Products may vary from country to country. Please contact your local sales representative.
 For further information and legal notice, please visit our website.
knaufceilingssolutions.com

SPECIAL SYSTEMS

Among the extensive range of Knauf Ceiling Solutions for high-performance substructures, from cleanrooms to earthquake-proof installations; there are also sophisticated profile solutions for specialized requirements.

AXONIS - comprehensive mounting system of profiles for canopy ceiling frames and transitions between plasterboard ceilings and suspended rail systems.

PERFECTLINE – visible rail system 15 mm with shadow groove and prefabricated miter joints, suitable for offices and reception areas.

CONCEALED – inserted systems, semi-concealed or concealed, for office areas and schools.

MERIDIAN – visible 15 mm relief rail system with omega cross-section in offset design, suitable for offices and reception areas.

SEISMIC – visible 24 mm grid system with special installation accessories and mounting details, for use in seismic, vibration risk areas, military and high security facilities.



	AXONIS	CONEALED	MERIDIAN DX	PERFECTLINE XL ²	SEISMIC KX	CLEAN ROOM 24 XL ²
Board	●		●		●	●
Tegular 15	●					
Tegular 24	●				●	●
Tegular 15/90	●					
Tegular 24/90	●				●	●
Tegular 15/90S	●			●		
K4C4		●				
K2C2		●				
SL2		●				
FINESSE		●				
VECTOR	●					

Design Applications

AXONIS Ceiling Solutions

Key features

- Pre-engineered aluminium trims, transitions and profiles
- Quick and cost-effective range of attractive and functional ceiling features
- Fully compatible with Knauf Ceiling Solutions suspension systems
- All products are available as standard in white to coordinate with standard 15 mm and 24 mm grid systems
- Suitable for all materials (Mineral, Metal, Mesh, Wood, Wood Wool)

Application areas

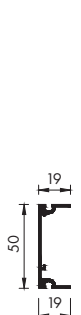

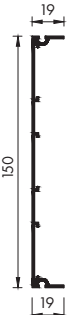

- All standard indoor ceiling applications / Changes in level / Lighting features

Physical data

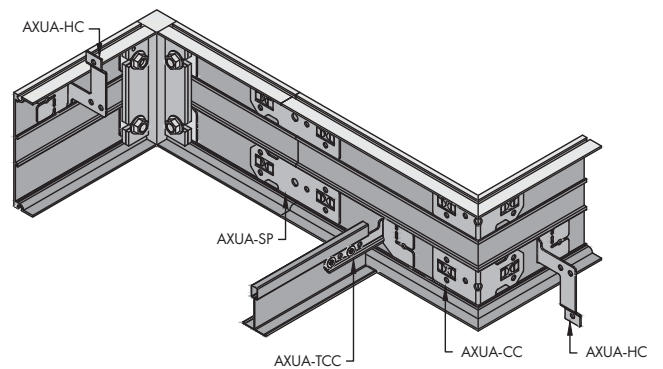
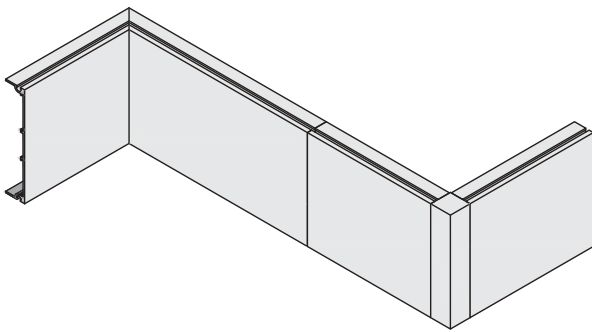
- Material: aluminium
- Surface finish: powder coated
- Colour: white (similar to RAL 9003)
- Additional colours on request

AXONIS Profiles

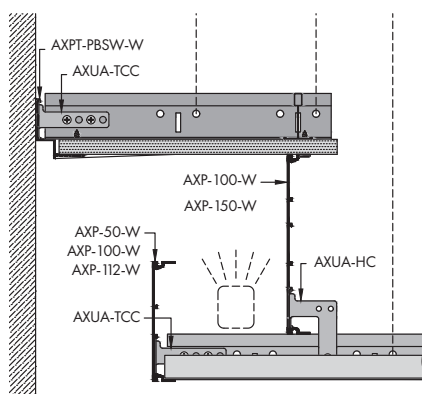
AXONIS Profiles are available in four different heights from 50 mm to 150 mm and are installed with or without AXONIS corner posts and universal accessories for secure and easy installation. The profiles can be used as a frame for floating ceilings, for upstand and downstand margin detail or for concealed lighting solutions.

	Item reference	Designation	Dimensions (mm)	
			Length	Height
	AXP-50-W	AXONIS Profile 50 mm	3000	50
	AXP-100-W	AXONIS Profile 100 mm	3000	100
	AXP-150-W	AXONIS Profile 150 mm	3000	150
	AXP-112-W	AXONIS Profile for Vector 112 mm	3000	112

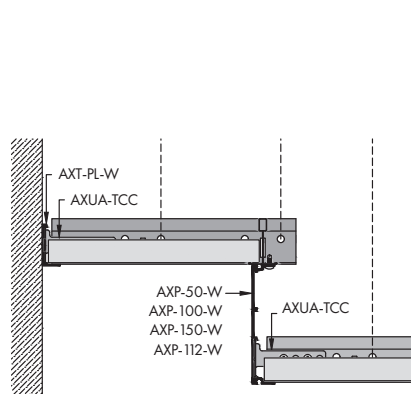
AXONIS Profiles assembled - outside / inside view



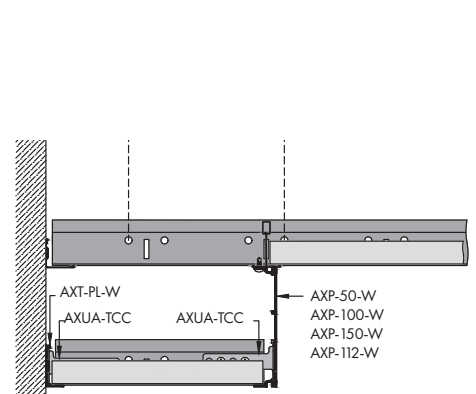
Concealed lighting detail with plasterboard margin and AXONIS Profile



Upstand margin with AXONIS Profile



Downstand margin with AXONIS Profile

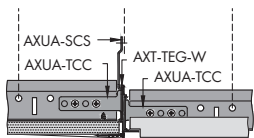


■ **AXONIS Transitions**

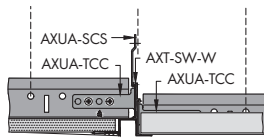
AXONIS Transitions create a seamless transition between plasterboard margins and all types of suspended grid systems. Five section designs are available for compatibility with a variety of edge details.

	Item reference	Designation	Length	Dimensions (mm)	Height
	AXT-TEG-W	AXONIS Transition for Tegular 15 / Tegular 24	3000		50
	AXT-SW-W	AXONIS Transition shadowline angle	3000		50
	AXT-VEC-W	AXONIS Transition for Vector tiles	3000		50
	AXT-L-W	AXONIS Transition angle	3000		51
	AXT-T42-Y	AXONIS Transition shadowline T42 (RAL 9010)	3000		46

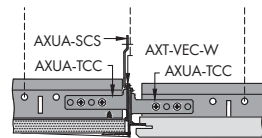
AXT-TEG-W
Plasterboard /
Tegular tiles transition



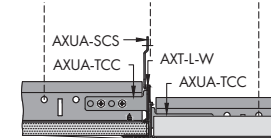
AXT-SW-W
Plasterboard /
lay-in tiles transition



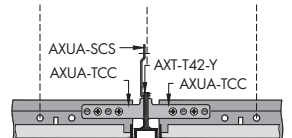
AXT-VEC-W
Plasterboard /
Vector tiles transition



AXT-L-W
Plasterboard /
lay-in tiles transition



AXT-T42-Y
Metal tiles /
metal tiles transition

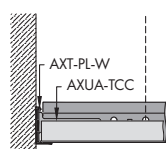


■ **AXONIS Perimeter Trims**

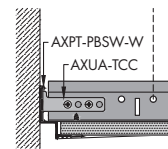
AXONIS Perimeter Trims are available for both plasterboard and standard solutions. Simply create a unique seamless ceiling finish when you combine the perimeter trims with any AXONIS Transitions or Profiles.

	Item reference	Designation	Length	Dimensions (mm)	Height
	AXT-PL-W	AXONIS Perimeter angle	3000		35
	AXPT-PBSW-W	AXONIS Perimeter plasterboard trim	3000		50

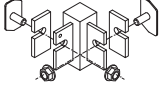
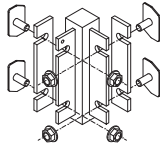
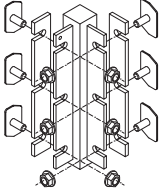
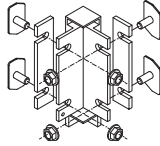
AXT-PL-W
Lay-in tiles perimeter detail



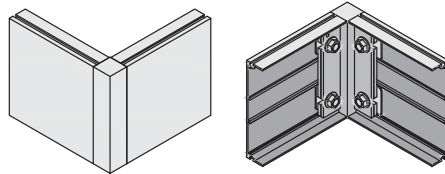
AXPT-PBSW-W
Plasterboard margin



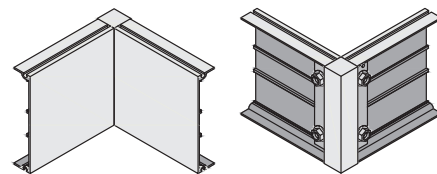
■ **AXONIS Profiles Corner Posts**

		Item reference	Designation
AXCP-50-W	AXCP-100-W	AXCP-50-W	AXONIS Profile corner post 50 mm
		AXCP-100-W	AXONIS Profile corner post 100 mm
AXCP-150-W	AXCP-112-W	AXCP-150-W	AXONIS Profile corner post 150 mm
		AXCP-112-W	AXONIS Profile Vector corner post 112 mm



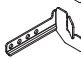


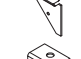
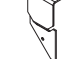
AXONIS Profile Corner Post assembled
Outside corner - outside / inside view








AXONIS Profile Corner Post assembled
Inside corner - outside / inside view



■ **AXONIS Accessories**

		Item reference	Designation
		AXUA-CC	AXONIS universal corner clip
		AXUA-SP	AXONIS universal splice plate
		AXUA-TCC	AXONIS universal T-bar connector clip
		AXUA-HC	AXONIS universal hanging clip
		AXUA-SCS	AXONIS transitions suspension clip – straight
		AXUA-SCA	AXONIS transitions suspension clip – angled
		AXUA-HDCM	AXONIS universal hold down clip for cut metal tiles

Fire reaction		Euroclass A1 as per EN 13501-1
Indoor air quality		 A+
Cleanability	  	

All measurements in millimetres. All sizes are nominal.

Product availability may vary from country to country. Please contact your local sales representative.
 For further information and legal notice, please visit our website.



Gas Station Petrol, Slovenia
© Žiga Intihar



BIZON METAL Office Building, Poland
© Szymon Polański



Gatwick Airport South Terminal, United Kingdom
© James Sleight, Design Quorum



Royal Bank of Scotland, Princess Street, Edinburgh, United Kingdom
© James McAteer

General Applications Lay-In Systems

CONCEALED

Components for concealed / semi-concealed tile & plank systems - System A | F | I

Key features

- Z-profiles or C-profiles for a monolithic appearance in corridor installations
- Installed with T24 grid or Bandraster for semi-concealed appearance in room installations
- Accessible system with SL2 planks

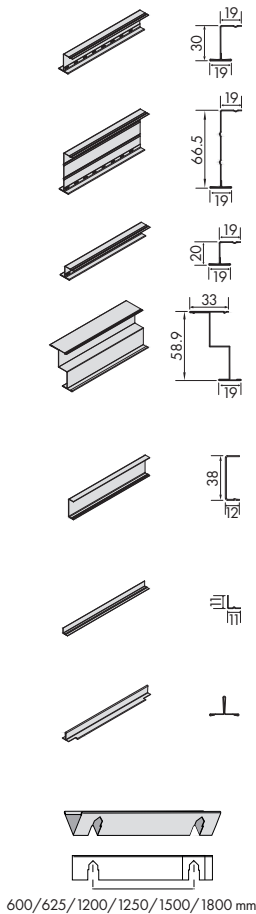
Application areas

- Retail outlets / Industrial manufacturing / Circulation areas

Physical data

- Material: galvanised steel
- Surface finish: galvanised / unpainted
- Colour: n/a (Z-Bar)

CONCEALED | Profile

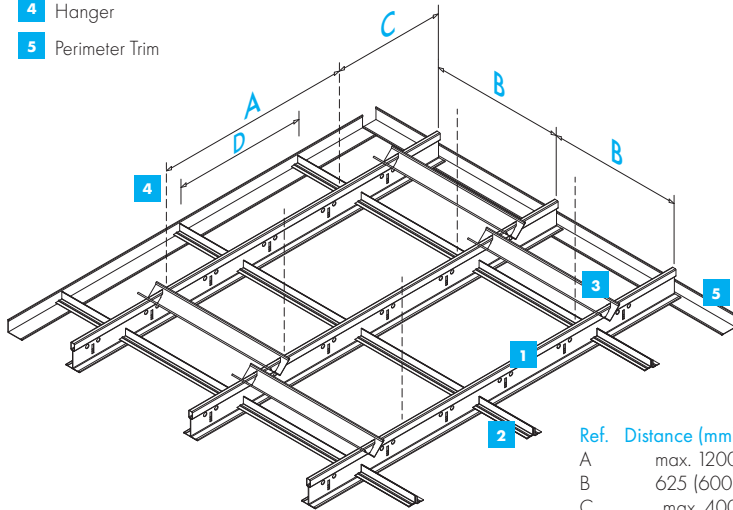


Item reference	Dimensions (mm)			Content/carton		Weight/carton kg	Cartons/ pallet
	Length	Width	Height	pcs	lm		
Z-Profile							
DCZ30 1500	1500	19	30,5	20	30	10,2	36
DCZ30 1800	1800	19	30,5	20	36	12,3	36
DCZ66 2000	2000	19	66,5	10	20	9,7	36
DCZ66 2500	2500	19	66,5	10	25	12,1	36
DCZ12 4000	4000	19	20	20	80	26	50
DCZ57 4000	4000	19/35	57	10	40	28	50
C-Profile							
DCU38 150	1500	12	38	20	30	12,2	40
DCU38 180	1800	12	38	20	36	14,9	40
DCU38 200	2000	12	38	20	40	16,3	40
DCU38 400	4000	12	38	20	80	37	40
L-Profile							
VA/K30	300	11	11	200	60	5	64
VA/K60	600	11	11	200	120	10	64
VA/K62,5	625	11	11	200	125	10,6	64
T-Profile							
DCT-19/13 60	600	19	13	100	60	9,1	64
DCT-19/13 62,5	625	19	13	200	125	9,2	64
Spacer Bars							
DMK-30	300	24	24	50	15	3,2	144
DMK-60	600	24	24	50	30	5,4	72
DMK-62,5	625	24	24	50	31,25	5,6	72
DMK-120	1200	24	24	50	60	10,6	36
DMK-125	1250	24	24	50	62,5	11	36
DMK-150	1500	24	24	50	75	13,2	36
DMK-180	1800	24	24	50	90	15,9	36

System Drawings - System A | F | I

System A 1.2

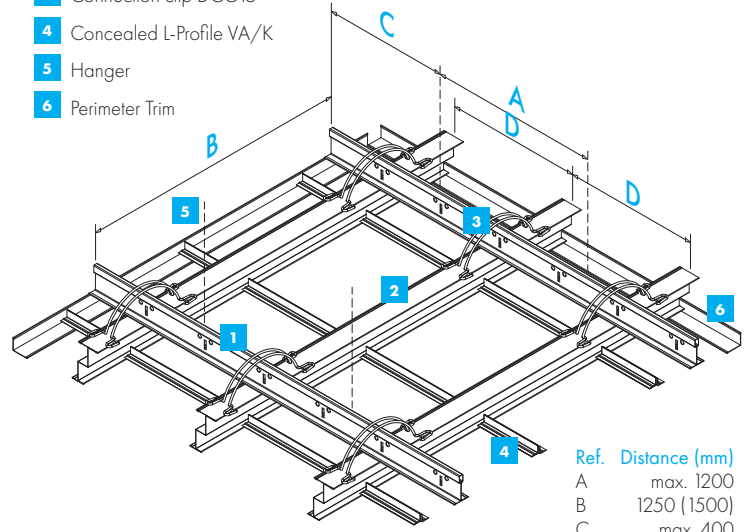
- 1 Main Runner
- 2 Concealed L-Profile VA/K
- 3 Concealed Spacer Bar DMK
- 4 Hanger
- 5 Perimeter Trim



Ref.	Distance (mm)
A	max. 1200
B	625 (600)
C	max. 400
D	625 (600)

System A 1.3

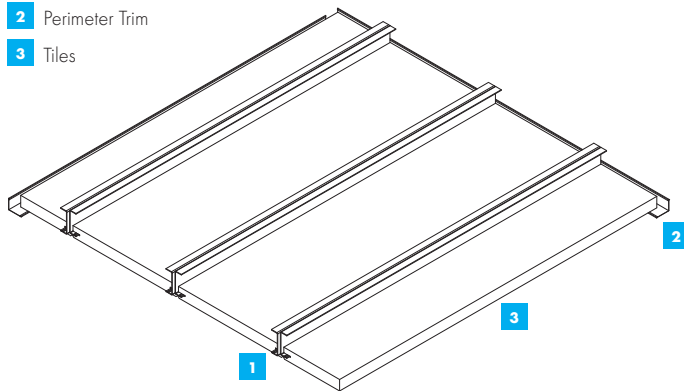
- 1 Main Runner
- 2 DCZ57
- 3 Connection clip DCC15
- 4 Concealed L-Profile VA/K
- 5 Hanger
- 6 Perimeter Trim



Ref.	Distance (mm)
A	max. 1200
B	1250 (1500)
C	max. 400
D	625 (600)

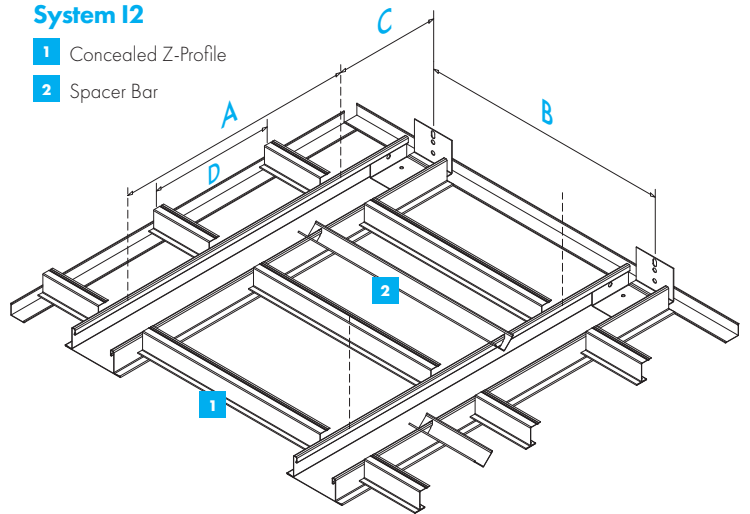
System F 1.1

- 1 Concealed C-Profile DCU38
- 2 Perimeter Trim
- 3 Tiles



System I2

- 1 Concealed Z-Profile
- 2 Spacer Bar



Fire reaction	Euroclass A1 as per EN 13501-1	RUS KMO (NG) / KM1 (G1, V1, D1, T1) as per 123-FZ
Indoor air quality	A+ ISO 3	
Cleanability		
Sustainability	up to 25%	
Design options		

All measurements in millimetres. All sizes are nominal.

Products may vary from country to country. Please contact your local sales representative.
 For further information and legal notice, please visit our website.
knaufceilingsolutions.com

Design Applications

MERIDIAN DX

Exposed 15 mm grid system with a round groove and joggled intersections - System C

Key features

- Round groove exposed grid with a nominal 15 mm wide flange
- Designed to be installed with board edge tiles and provides a cost effective, decorative finish
- Available in three versions: White, Metal 06 and Matt Black
- Time saving installation with quick hangers SAH150 (optional) allows easy installation and removal of the tiles

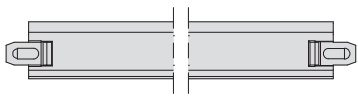
Application areas

- Reception areas / Open plan office / Individual offices

Physical data

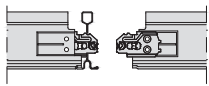
- Material: galvanised steel
- Surface finish: baked polyester paint
- All products standard in White, Metal 06, Matt Black

■ MERIDIAN DX | Main Runners (bulb-to-bulb connection)



Item reference	Dimensions (mm)				Content/carton		Weight/carton kg	Cartons/ pallet
	Length	Width	Height	Slot centres	pcs	lm		
 DXM360W	3600	15	38	300	25	90	38.9	50
 DXM360D	3600	15	38	300	25	90	38.9	50
 DXM360LM	3600	15	38	300	25	90	38.9	50
 DXM375W	3750	15	38	312.5	25	93.75	40.5	50
 DXM337.5W	3375	15	38	337.5	25	84.38	36.50	50

■ MERIDIAN DX | Cross Tees (stab system)



Cross Tees - Slotted								
 DXM120W	1200	15	38	600	40	48	16.80	60
 DXM120D	1200	15	38	600	40	48	16.80	60
 DXM120LM	1200	15	38	600	40	48	16.80	60
 DXM125W	1250	15	38	625	40	50	17.50	60
 DXM135W	1350	15	38	675	40	54	18.90	60

Cross Tees - Unslotted								
 DXM60W	600	15	38	-	60	36	12.40	100
 DXM60D	600	15	38	-	60	36	12.40	100
 DXM60LM	600	15	38	-	60	36	12.40	100
 DXM62.5W	625	15	38	-	60	37.5	12.90	100
 DXM67.5W	675	15	38	-	60	40.5	14.00	100

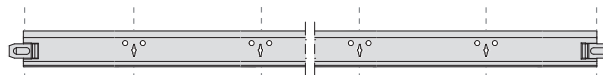
■ MERIDIAN DX | Perimeter Trim White



Perimeter Trims White								
 DXM-MIE2024W	3000	20	24	-	40	120	23.10	60
 DXM-MI2024D	3000	20	24	-	40	120	23.10	60
 DXM-MI2024LM	3000	20	24	-	40	120	23.10	60

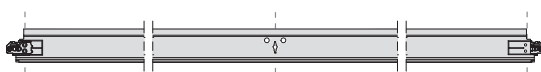
Section Drawings

■ MERIDIAN DX | Main Runners (bulb-to-bulb connection)

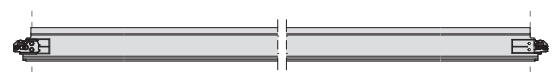


Length	150	300	9 x 300	300	150
3600					
312.5			3 x 625		
2700	168.75	337.5	5 x 337.5	337.5	168.75

■ MERIDIAN DX | Cross Tees (stab system - joggled GK)

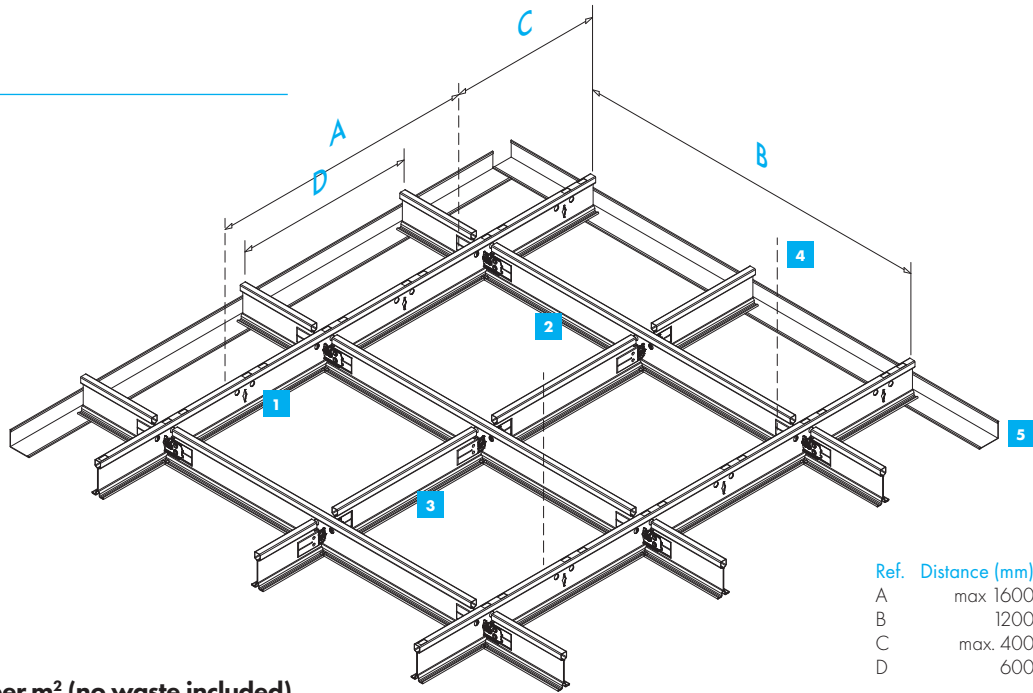


Length	675	675
1350		
1250		
1200	600	600



Length	675 / 625 / 600

System Drawing



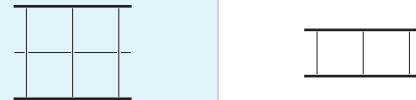
■ **Material required per m² (no waste included)**

No.	Description	Item reference	Module 600 x 600	Module 625 x 625	Module 1200 x 600	Module 1250 x 625
1	Main Runner	DXM360W DXM312,5W	0.84 lm -	- 0.80 lm	0.84 lm -	- 0.80 lm
2	Long Cross Tee	DXM120W DXM125W	1.67 lm -	- 1.60 lm	1.67 lm -	- 1.60 lm
3	Short Cross Tee	DXM60W DXM62,5W	0.84 lm -	- 0.80 lm	- -	- -
4	Hanger	-	0.70 pcs	0.64 pcs	0.70 pcs	0.64 pcs
	Retaining Clip	-	5.56 pcs	5.56 pcs	5.56 pcs	5.56 pcs
	Tiles	-	2.78 pcs	2.56 pcs	1.39 pcs	1.28 pcs
5	Perimeter Trim		Dependent on room dimensions (approx. 0.6 lm/m ²)			

■ **Load Table | Maximum permissible weight (kg/m²)**

Main Runner distances	1200 mm	1250 mm	600 mm	625 mm
Hanger distance A (mm)	Module 600x600, 1200x600	Module 625x625, 1250x625	Module 600x600, 1200x600	Module 625x625, 1250x625
800	16.5	14.3	25.0	25.0
1000	13.9	12.4	22.5	21.5
1200	10.9	9.9	16.4	15.7
1500	7.2	6.9	11.5	11.1

Note:
The load per m² must be evenly distributed (no extra point loads).
After loading, the deflection will remain within the permitted deflection according to class 1 (L/500) of EN 13964, provided the grid is laid out as shown.



For other grid layouts, load capacities or hanger distances, please contact Knaf Ceiling Solutions.

Fire reaction	Euroclass A1 as per EN 13501-1	RUS KMO (NG) / KM1 (G1, V1, D1, T1) as per 123-FZ
Indoor air quality	A+	
Cleanability		
Sustainability	up to 25%	
Design options		

All measurements in millimetres. All sizes are nominal.
Cross Tee alignment is achieved by locating the tees to the left-hand side of the adjoining section.


Products may vary from country to country. Please contact your local sales representative.
For further information and legal notice, please visit our website.
knafceilingssolutions.com

Design Applications

PERFECTLINE XL²

Exposed 15 mm grid system with channel feature and pre-mitred intersections - System C

Key features

- 6 mm reveal for a more monolithic appearance with Tegular 15 mineral tiles
- Unnotched 1200/1350 mm Cross Tees for large tile designs
- Peakform : patented design for strength, stability and easier to cut

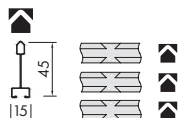
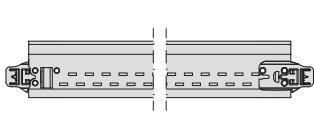
Application areas

- Reception areas / Open plan office / Individual offices

Physical data

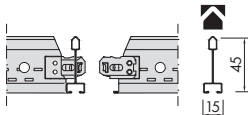
- Material: galvanised steel
- Surface finish: baked polyester paint
- Colour: all products available in White or White with Black Reveal

PERFECTLINE XL² | Main Runners White (by-pass connection)



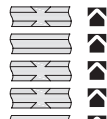
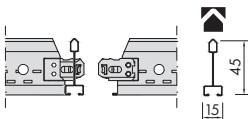
Item reference	Length	Dimensions (mm)			Content/carton		Weight/carton kg	Cartons/ pallet
		Width	Height	Slot centres	lm			
PL360GW	3600	15	45	600	20	72.00	22.40	40
PL312,5GW	3125	15	45	625	20	62.50	19.40	40
PL270GW	2700	15	45	675	20	54.00	16.80	40

PERFECTLINE XL² | Main Runners White with Black Reveal (by-pass connection)



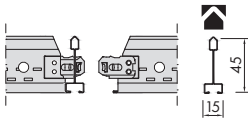
PL360GR	3600	15	45	600	20	72.00	22.40	40
---------	------	----	----	-----	----	-------	-------	----

PERFECTLINE XL² | Cross Tees White (stab system)



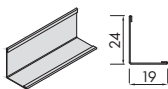
PL135GW	1350	15	45	675	20	27.00	8.30	40
PL135NGW	1350	15	45	-	20	27.00	8.30	40
PL125GW	1250	15	45	625	60	75.00	23.00	35
PL120GW	1200	15	45	600	60	72.00	22.10	35
PL120NGW	1200	15	45	-	60	72.00	22.10	35
PL67,5GW	675	15	45	-	60	40.50	12.50	70
PL62,5GW	625	15	45	-	60	37.50	11.60	70
PL60GW	600	15	45	-	60	36.00	11.10	70
PL30GW	300	15	45	-	60	36.00	11.10	70

PERFECTLINE XL² | Cross Tees White with Black Reveal (stab system)



PL120GR	1200	15	45	600	60	72.00	22.10	35
PL120NGR	1200	15	45	-	60	72.00	22.10	35
PL60GR	600	15	45	-	60	36.00	11.10	70
PL30GR	300	15	45	-	120	36.00	11.10	70

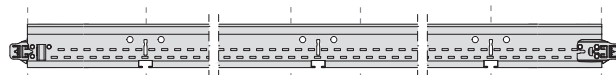
PERFECTLINE XL² | Perimeter Trim White



PL-T1924HD	3000	19	24	-	36	108.00	18.30	49
------------	------	----	----	---	----	--------	-------	----

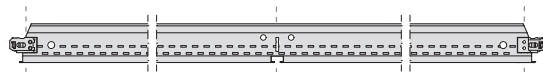
Section Drawings

PERFECTLINE XL² | Main Runners (bulb-to-bulb connection)

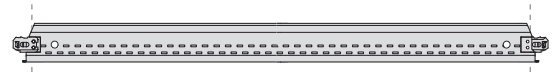


Length						
3600	300	600	3 x 600	600	300	
3125	312.5	625	2 x 625	625	312.5	
2700	337.5	675	675	675	337.5	

PERFECTLINE XL² | Cross Tees (stab system)



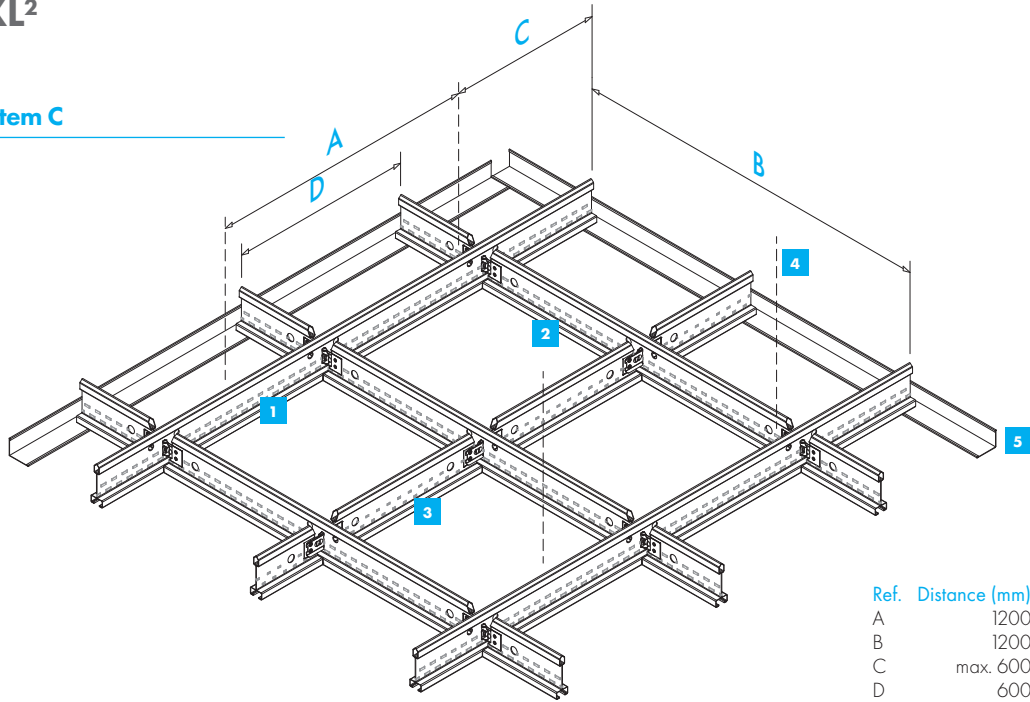
Length		
1350	675	675
1250	625	625
1200	600	600



Length	
	1350 / 1200 / 675 / 625 / 600 / 300

System Drawing - System C

- 1** Main Runner
- 2** Long Cross Tee
- 3** Short Cross Tee
- 4** Hanger
- 5** Perimeter Trim



Ref.	Distance (mm)
A	1200
B	1200
C	max. 600
D	600

Details

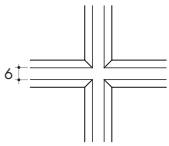
- Pre-mitred intersections
- Choice of either pre-mitred and un-mitred 1200/1350 mm Cross Tees
- PERFECTLINE XL² with 6 mm reveal is supplied as standard in White and in White with Black Reveal, to compliment mineral tiles



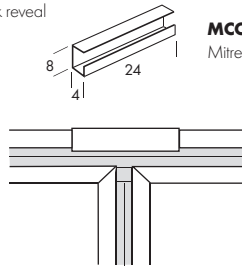
Notched Main Runners and Cross Tees, with or without black reveal



Unnotched Cross Tees, with or without black reveal

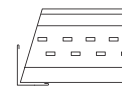


View of mitred intersection from beneath

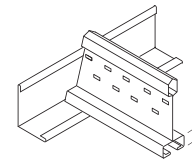


MCC4 G
Mitre closure clip

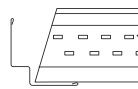
Perimeter Solutions



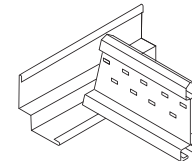
Section



Cross Tee trimmed to perimeter trim



Section

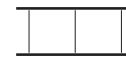
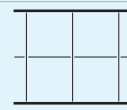


Cross Tee trimmed to Shadowline perimeter trim

Load Table | Maximum permissible weight (kg/m²)

Main Runner distances Hanger distance A (mm)	1200 mm	1250 mm	600 mm	625 mm
	Module 600x600, 1200x600	Module 625x625, 1250x625	Module 600x600, 1200x600	Module 625x625, 1250x625
800	13.6	11.9	25.0	25.0
1000	10.3	9.3	25.0	25.0
1200	7.1	6.6	15.7	15.1
1500	3.4	3.3	7.5	7.2

Note:
The load per m² must be evenly distributed (no extra point loads).
After loading, the deflection will remain within the permitted deflection according to class 1 (L/500) of EN 13964, provided the grid is laid out as shown.



For other grid layouts, load capacities or hanger distances, please contact Knaf Ceilings Solutions.

Fire reaction	Euroclass A1 as per EN 13501-1	RUS KM0 (NG) / KM1 (G1, V1, D1, T1) as per 123-FZ
Indoor air quality	A+	
Cleanability		
Sustainability	up to 25%	
Design options		

All measurements in millimetres. All sizes are nominal.
Cross Tee alignment is achieved by locating the tees to the right-hand side of the adjoining section.

Products may vary from country to country. Please contact your local sales representative.
For further information and legal notice, please visit our website.
knafceilingsolutions.com

Specific Applications

SEISMIC KX

Exposed 24 mm grid system with specialist installation accessories and detailing - System C

Key features

- Independently tested system to withstand the forces from significant seismic activity or other severe events
- Seismic qualification report in relation to EUROCODE 8 (EC8)
- Special accessories: quicker, more cost effective seismic installations
- Solutions for moderate hazard and high/very high hazard areas

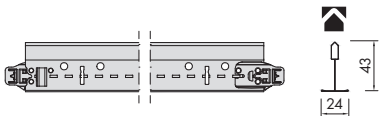
Application areas

- Seismic areas, Nuclear, Military or high risk sites

Physical data

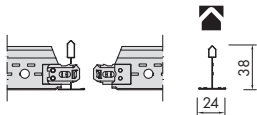
- Material: galvanised steel with additional protective paint
- Surface finish: baked polyester paint
- Colour: available in White

SEISMIC KX | Main Runners (bulb-to-bulb connection)



Item reference	Dimensions (mm)				Content/carton		Weight/carton	Cartons/pallet
	Length	Width	Height	Slot centres	pcs	lm	kg	
SKX360W	3600	24	43	100	20	72.00	21.00	30

SEISMIC KX | Cross Tees (stab system - joggled)

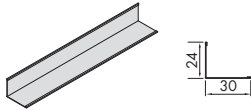


Cross Tees - Slotted								
Item reference	Length	Width	Height	Slot centres	Content/carton (pcs)	Content/carton (lm)	Weight/carton (kg)	Cartons/pallet
SKX120W	1200	24	38	300	60	72.00	18.20	72



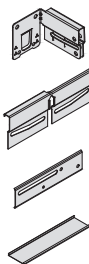
Cross Tees - Unslotted								
Item reference	Length	Width	Height	Slot centres	Content/carton (pcs)	Content/carton (lm)	Weight/carton (kg)	Cartons/pallet
SKX60W	600	24	30	-	60	36.00	8.20	144

SEISMIC KX | Perimeter Trim



Perimeter Trim								
Item reference	Length	Width	Height	Slot centres	Content/carton (pcs)	Content/carton (lm)	Weight/carton (kg)	Cartons/pallet
SKX-T2430HW	3000	30	24	-	30	90.0	19.50	48

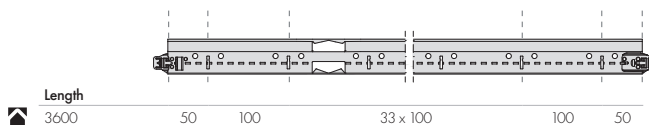
SEISMIC KX | Accessories



Item reference	Dimensions (mm)		Content/carton		Description
	Length	Width	pcs	kg	
Accessories					
BEC2	50	24	200	9.00	Seismic KX Main Runner End Retaining Clip
SICG	-	24	200	7.00	Seismic KX Joint Clip 24 Cross Tee
SJMR15	-	24	100	4.00	Seismic KX Joint Clip Main Runner 24
ES4	100	24	100	1.00	Seismic KX Expansion Sleeve 24

Section Drawings

SEISMIC KX | Main Runners (bulb-to-bulb connection)

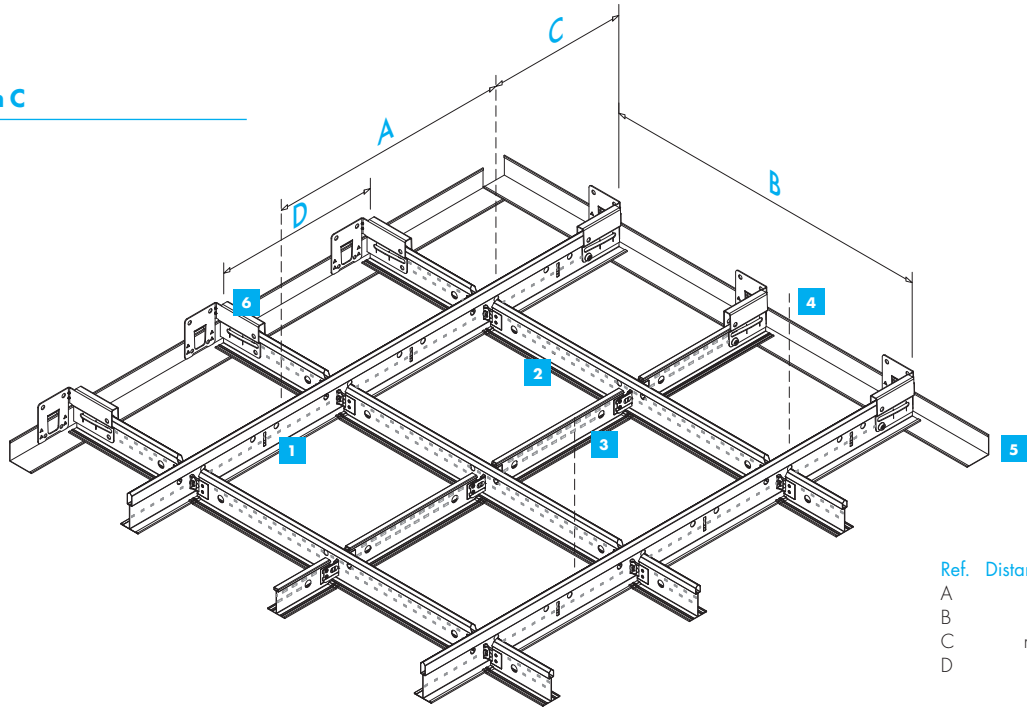


SEISMIC KX | Cross Tees (stab system - joggled)



System Drawing - System C

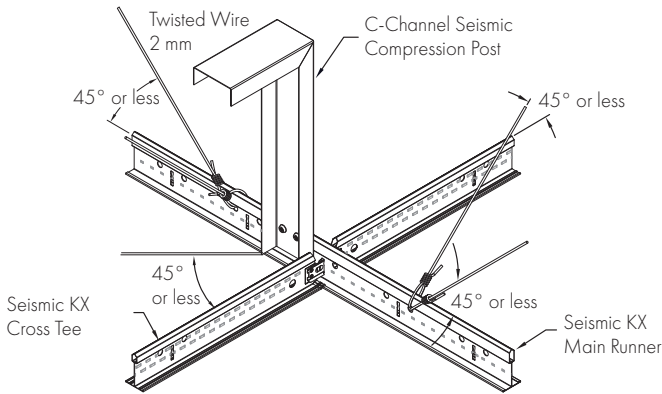
- 1** Main Runner
- 2** Long Cross Tee
- 3** Short Cross Tee
- 4** Hanger
- 5** Perimeter Trim
- 6** End Retaining Clip BERC2



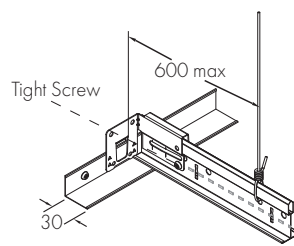
Ref.	Distance (mm)
A	1200
B	1200
C	max. 600
D	600

Details

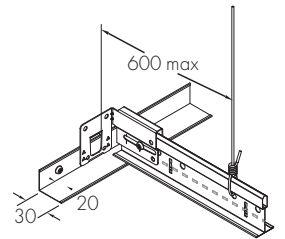
BRACING DETAIL



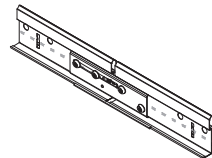
ATTACHED WALL DETAIL



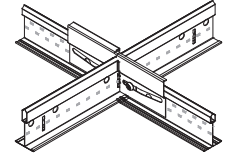
UNATTACHED WALL DETAIL



SEISMIC KX JOINT CLIP MAIN RUNNER*



SEISMIC KX JOINT CLIP CROSS TEE*



*Optional seismic accessories
Only necessary for ceiling areas > 250 m²

The Seismic KX system installation method will depend upon the hazard level required for the installation. Suitable for Knauf Ceiling Solutions mineral or metal products weighing up to 52.4 N/m².

Fire reaction	Euroclass A1 as per EN 13501-1	RUS KMO (NG) / KM1 (G1, V1, D1, T1) as per 123-FZ
Indoor air quality	A+ ISO 3	
Cleanability		
Sustainability	up to 25%	

All measurements in millimetres. All sizes are nominal.
Cross Tee alignment is achieved by locating the tees to the right-hand side of the adjoining section.

General Applications

CLEAN ROOM 24 XL²

Exposed 24 mm co-extruded grid system for clean rooms and non-magnetic areas

Key features

- Aluminium construction: non-magnetic system with high corrosion resistance
- Co-extruded gasket: better seal between tile and grid

System recommendation

- We recommend the usage of Hygena or Mediguard Tiles

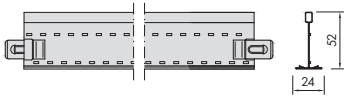
Application areas

- Healthcare, Hi-tech manufacturing, MRI Rooms

Physical data

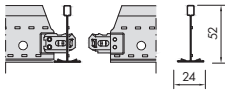
- Material: aluminium with co-extruded flexible gasket
- Surface finish: aluminium capping with baked polyester paint
- Colour: all products standard in Global White

■ CLEAN ROOM 24 | Main Runner (bulb-to-bulb connection)



Item reference	Dimensions (mm)				Content/carton		Weight/carton kg	Cartons/pallet
	Length	Width	Height	Slot centres	pcs	lm		
EA 43 40 44	3600	24	52	300	20	72	24	12

■ CLEAN ROOM 24 | XL² Cross Tees (stab system - butt cut)



Cross Tees - Slotted

EA 43 30 44	1200	24	52	300	60	72	26	25
EA 43 20 44	600	24	52	300	60	36	12	50

■ CLEAN ROOM 24 | Perimeter Trim



Perimeter Trim

EA 42 12	3660	22	22	-	30	110	20	12
----------	------	----	----	---	----	-----	----	----

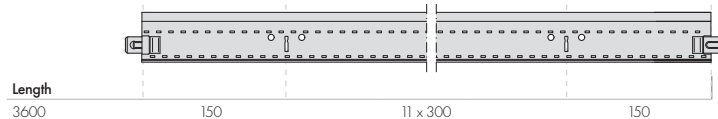
■ CLEAN ROOM 24 | Accessories



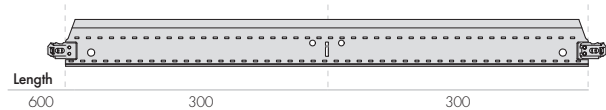
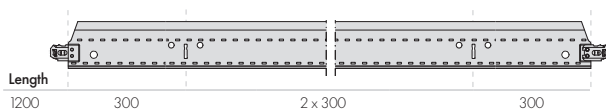
Item reference	Dimensions (mm)		Content/carton		Weight/carton kg	Notes
	Length	Width	pcs	lm		
CHDC	-	-	50	-	0.3	PVC Hold down clip for Clean Room grids
A426	-	-	100	-	0.4	Board Access Clip for Clean Room 24 T-bar

Section Drawings

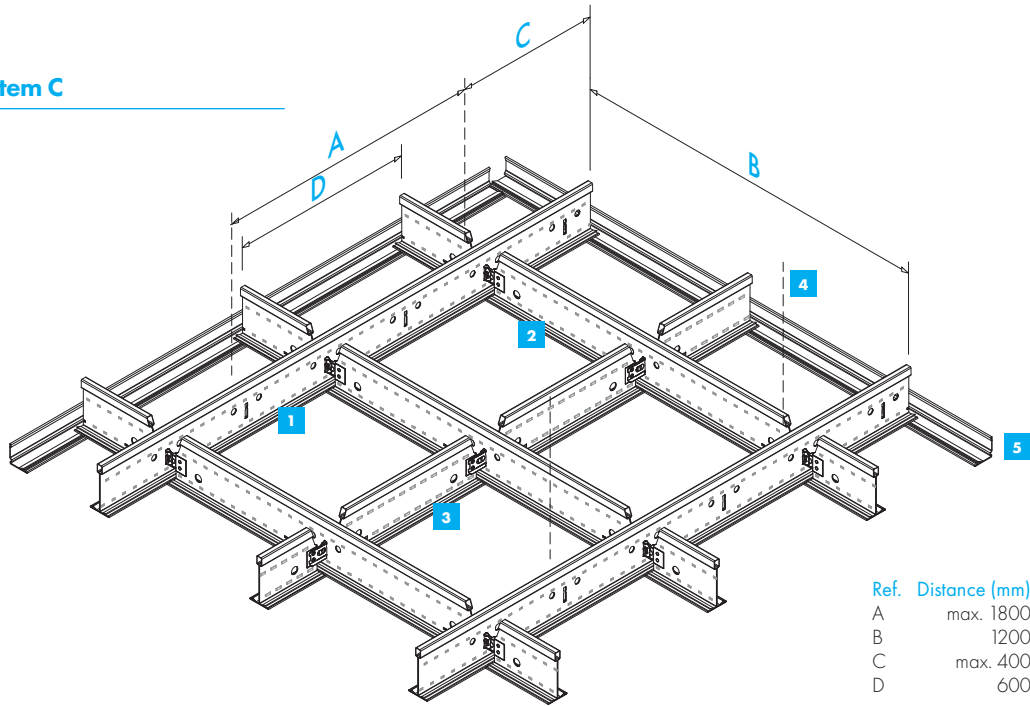
■ CLEAN ROOM 24 | Main Runner (bulb-to-bulb connection)



■ CLEAN ROOM 24 | XL² Cross Tees (stab system - butt cut)



System Drawing - System C



■ **Material required per m² (no waste included)**

No.	Description	Item reference	Module 600 x 600	Module 1200 x 600
1	Main Runner	EA 43 40 44	0.84 lm	0.84 lm
2	Long Cross Tee	EA 43 30 44	1.67 lm	1.67 lm
3	Short Cross Tee	EA 43 20 44	0.84 lm	-
4	Hanger	-	0.70 pcs	0.70 pcs
	Retaining Clip	-	5.56 pcs	5.56 pcs
	Tiles	-	2.78 pcs	1.39 pcs
5	Perimeter Trim	EA 42 12	Dependent on room dimensions (approx. 0.6 lm/m ²)	

■ **Load Table | Maximum permissible weight (kg/m²)**

Main Runner distances Hanger distance A (mm)	1200 mm	600 mm
	Module 600 x 600, 1200 x 600	Module 600 x 600, 1200 x 600
800	15.1	25.0
1000	13.6	25.0
1200	10.0	21.1
1500	5.8	12.0
1800	3.0	6.5

Note:
 The load per m² must be evenly distributed (no extra point loads).
 After loading, the deflection will remain within the permitted deflection according to class 1 (L/500) of EN 13964, provided the grid is laid out as shown.

For other grid layouts, load capacities or hanger distances, please contact Knauf Ceiling Solutions.

Fire reaction	Euroclass A2-s1, d0 as per EN 13501-1
Indoor air quality	A+
Cleanability	
Sustainability	91% EN ISO 14001
Design options	

All measurements in millimetres. All sizes are nominal.
 Cross Tee alignment is achieved by locating the tees to the right-hand side of the adjoining section.

Products may vary from country to country. Please contact your local sales representative.
 For further information and legal notice, please visit our website.
knaufceilingsolutions.com

Specific Applications

RAPID'FIX®

Monolithic 40 mm grid system - System A (Eleganza™)

Key features

- Grid structure for screw fixing for seamless, monolithic board installation
- Engineered Main Runner and Cross Tee system: quick and easy to set-out and install (30% time-saving)
- Extra wide (40 mm) and knurled face of the profile for easier screw fixing of the board

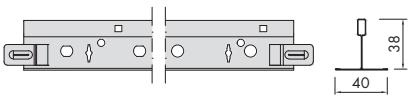
Application areas

- Seamless, monolithic boards installation

Physical data

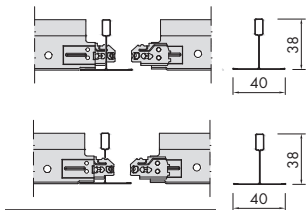
- Material: galvanised steel
- Surface finish: galvanised / unpainted

■ RAPID'FIX® | Main Runners (bulb-to-bulb connection)



Item reference	Dimensions (mm)				Content/carton		Weight/carton kg	Cartons/ pallet
	Length	Width	Height	Slot centres	pcs	lm		
DXSF40XH370X	3700	40	38	100	12	44.40	21.10	50

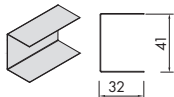
■ RAPID'FIX® | Cross Tees (stab system - joggled)



Cross Tees - Slotted								
DXSF40XH120X	1200	40	38	300	34	40.80	20.00	60
DXSF40XH90X	900	40	38	300	34	30.60	15.00	60

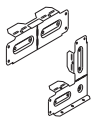
Cross Tees - Unslotted								
DXSF40XH60X	600	40	38	-	34	20.40	11.00	120

■ RAPID'FIX® | Perimeter Trim



Perimeter Trim								
MUSF40X	3000	32	41	-	10	30.0	12.00	32

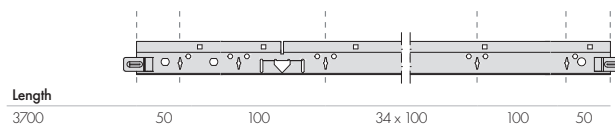
■ RAPID'FIX® | Accessories



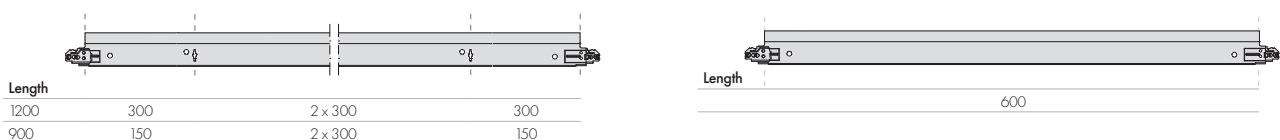
Item reference	Dimensions (mm)		Content/carton		Weight/carton kg	Description
	Length		pcs	lm		
Accessories						
DGSC 180	-		50	-	2.50	Splice and corner connector, galvanised, modifiable
DGTC 90	-		50	-	3.30	90° connector, galvanised, modifiable

Section Drawings

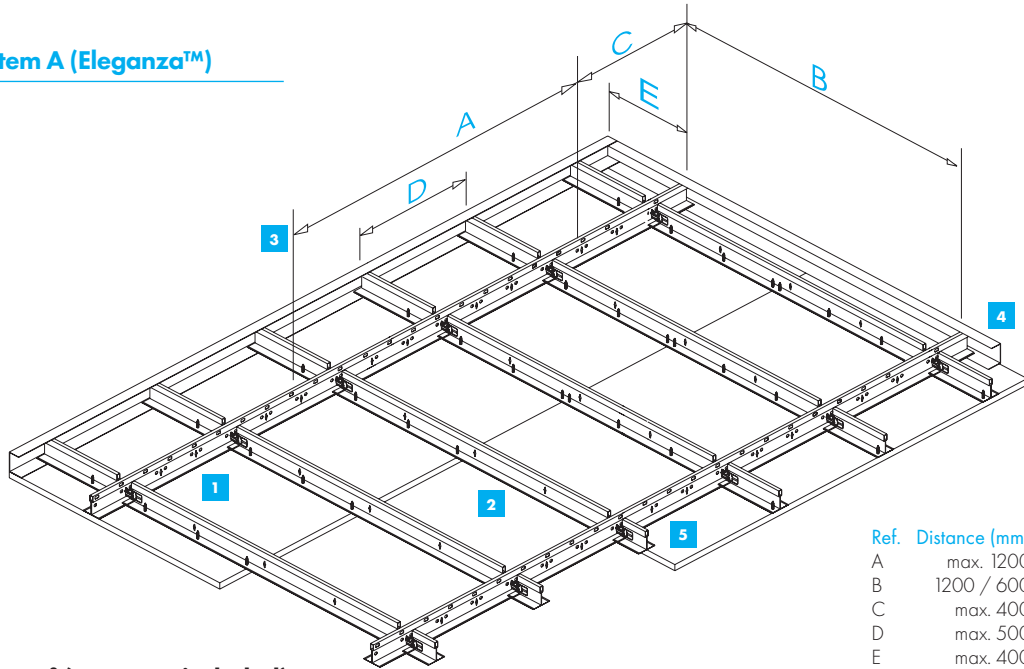
■ RAPID'FIX® | Main Runners (bulb-to-bulb connection)



■ RAPID'FIX® | Cross Tees (stab system - joggled)



System Drawing - System A (Eleganza™)



Ref.	Distance (mm)
A	max. 1200
B	1200 / 600
C	max. 400
D	max. 500
E	max. 400

■ **Material required per m² (no waste included)**

No.	Description	Item reference	Module 1200 x 500	Module 500 x 600
1	Main Runner	DXSF40XH370X	0.83 lm	1.67 lm
2	Long Cross Tee	DXSF40XH120X	2.00 lm	-
3	Short Cross Tee	DXSF40XH60X	-	2.00 lm
4	Hanger	-	0.76 pcs	1.51 pcs
	Monolithic Board	-	-	-
5	Perimeter Trim	MUSF40X	Dependent on room dimensions (approx. 0.6 lm/m ²)	

■ **Load Table | Maximum permissible weight (kg/m²)**

Main Runner distances Hanger distance A (mm)	1200 mm		600 mm	
	Cross Tee distance 600	Cross Tee distance 500	Cross Tee distance 600	Cross Tee distance 500
800	18.9	21.4	35.0	35.0
1000	14.2	16.0	33.7	35.0
1200	9.6	10.0	21.3	22.0

Note:
The load per m² must be evenly distributed (no extra point loads).
After loading, the deflection will remain within the permitted deflection according to class 1 (L/500) of EN 13964, provided the grid is laid out as shown.

For other grid layouts, load capacities or hanger distances, please contact Knauf Ceiling Solutions.

Fire reaction		Euroclass A1 as per EN 13501-1	RUS KMO (NG) / KM1 (G1, V1, D1, T1) as per 123-FZ
Indoor air quality		 A+	 ISO 3
Cleanability			
Sustainability		 EN ISO 14001	 EN ISO 14025
Design options			

All measurements in millimetres. All sizes are nominal.
Cross Tee alignment is achieved by locating the tees to the left-hand side of the adjoining section.

Products may vary from country to country. Please contact your local sales representative.
For further information and legal notice, please visit our website.
knaufceiling.com

Specific Applications

VIC

Primary grid system

Key features

- Create a primary framework underneath beams or between walls
- Install a suspended ceiling below, using fewer suspension points to the structure
- Wide span system to bridge up to 6.50 m spans

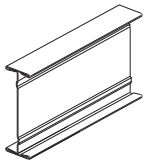
Application areas

- Industrial / Transport / Buildings with limited suspension points

Physical data

- Material: galvanised steel
- Surface finish: galvanised

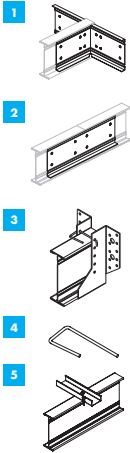
VIC | Profiles



Item reference	Dimensions (mm)			Content/carton		Weight/carton	Cartons/pallet
	Length	Width	Height	pcs	lm	kg	
VIC40-5000	5000	40	47	10	50	48.00	30
VIC50-5000	5000	40	57	10	50	50.00	30
VIC500W-5000*	5000	40	57	10	50	50.00	30
VIC80-5000	5000	40	87	8	40	48.00	30
VIC88-5000	5000	40	87	6	30	45.00	30
VIC120-6500 (10)	6500	40	120	10	65	162.00	5
VIC120-6500 (25)	6500	40	120	25	162.5	405.00	1
VIC120-4000	4000	40	120	10	40	100.00	5
VIC120-5000	5000	40	120	10	50	124.00	5

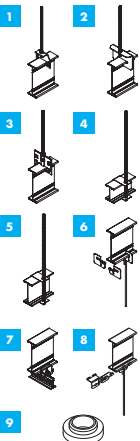
* one side painted white.

VIC | Accessories



No.	Item reference	Dimensions (mm)		Content/carton		Weight/carton	Description
		Length		pcs	lm	kg	
1	VIC410	-		100	-	5	Cross / wall connector 90° connector with 6 pre-drilled holes for fixing using bolts and nuts (M6). Always use in pairs.
1	VIC 510	-		100	-	6	
1	VIC1810	-		50	-	20	
1	VIC1210	-		50	-	20	
2	VIC420	-		100	-	7	
2	VIC520	-		100	-	10	Splice connector with 8 pre-drilled holes for fixing using bolts and nuts (M6). Always use in pairs.
2	VIC1820	-		100	-	14	
2	VIC1220	-		50	-	19	
3	VIC1230-B	-		25	-	11	Wall connector, securing pin required SB-N
4	SB-N	-		100	-	1	Securing pin
5	DE-C2040	3000		30	90	19.1	Stabilizer Bar for VIC profiles

VIC | Hangers



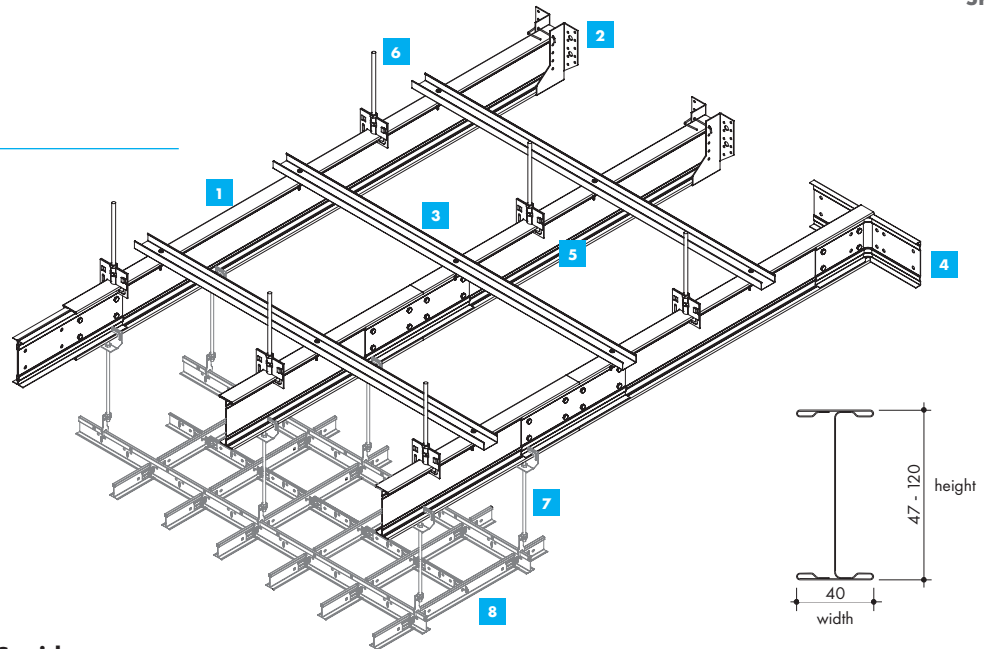
No.	Item reference	Max. load capacity ¹⁾ (static)	Max. load capacity ¹⁾ (dynamic)	Content/carton pcs	Weight/carton kg	Description
1	PSF70	700N	700N	100	5	Hanger for fixing the VIC profiles to the soffit or for fixing the substructure to the VIC systems. * ²⁾
2	PSF150	1.400N	1.400N	50	5	Hanger for fixing the VIC profiles to the soffit * ²⁾
3	PSF160	1.600N	1.200N	50	5	Hanger for fixing the VIC profiles to the soffit * ²⁾
4	BD5	-	-	100	3.9	Clamp Bracket VIC 50, 6 mm threaded rod
5	BD8	-	-	100	4.7	Clamp Bracket VIC 80, 6 mm threaded rod
6	PSF20	500N	500N	100	3	Direct hanger, 2 part, for fixing the substructure, suitable for all VIC systems * ³⁾
7	PSF25-Plus	350N	350N	50	3	Direct hanger for fixing the substructure, suitable for all VIC systems. Main tees, Espace profiles, CD-Profiles * ³⁾
8	PSF40	480N	480N	50	3.9	Hanger for VIC 40-50-80 and 88, assembly with omega profile (40 mm width) or fixation of wire hangers D= 4 mm * ³⁾
9	RE6	-	-	25	0.08	Washer for PSF150/160 Threaded Rod

¹⁾ as per EN 13964.

²⁾ The specified max. load values refer to use in combination with a VIC 120 profile. For other VIC profiles the values are lower. For detailed information please contact the technical department.

³⁾ When used in combination with VIC 500 W the max. load values are lower. For detailed information please contact the technical department.

System Drawing



■ **Materials required for the VIC grid structure**

No.	Description	Item reference					
1	Wide span profile	VIC40	VIC500W	VIC50	VIC80	VIC88	VIC120
2	Wall connector	VIC1230-B	VIC1230-B	VIC1230-B	VIC1230-B	VIC1230-B	VIC1230-B
3	Reinforcement profile ⁽¹⁾	DE-C2040	DE-C2040	DE-C2040	DE-C2040	DE-C2040	DE-C2040
4	Cross connector	VIC410	VIC510	VIC510	VIC1810	VIC1810	VIC1210
5	Splice connector	VIC420	VIC520	VIC520	VIC1820	VIC1820	VIC1220
6	Hanger to soffit	PSF70	PSF70	PSF70	PSF70	PSF70	PSF150
7	Hanger to grid structure	PSF70, PSF25-plus or PSF 20					
8	Grid structure						

⁽¹⁾ reinforcement profile per VIC profile with two self-drilling screws, e.g. 2x TCB Philips 4.8 x 13

■ **Load Table | Maximum permissible weight (kg/m²)**

		Load table ⁽¹⁾ Permissible weight (kg/m ²), deflection L/300									
	Wide span profile distances	Hanger distances									
		2.0	2.5	3.0	3.5	4.0	4.5	5.0	5.5	6.0	6.5
VIC 40	1.2 m	19.0	10.0	6.0	3.5						
	1.6 m	14.0	6.5	4.0							
VIC 500W	1.2 m		13.0	7.5	4.5						
	1.6 m		10.0	5.0							
VIC 50	1.2 m		15.5	8.5	5.5						
	1.6 m		11.0	6.0	4.0						
VIC 80	1.2 m		22.0	14.0	9.5	6.5	5.0				
	1.6 m		16.0	10.0	7.0	5.0	3.0				
VIC 88	1.2 m			16.5	13.0	9.0	6.5				
	1.6 m			12.0	10.0	6.5	4.5				
VIC 120	1.2 m					24.5	18.0	13.5	10.5	7.5	
	1.6 m					18.0	13.0	10.0	7.05	5.5	
	2.2 m					13.0	9.5	7.0	5.5	4.0	
No. Cross Tees /reinforcement profiles		1 x			2 x			3 x			

For other applications please contact Knauf Ceiling Solutions.

⁽¹⁾ For all installations, up to three reinforcement profiles must be used between two fixing points (see system drawing) to ensure no over-turning of the profiles.

Fire reaction		Euroclass A1 as per EN 13501-1	RUS KMO (NG) / KM1 (G1, V1, D1, T1) as per 123-FZ
Indoor air quality		A+	
Cleanability			
Sustainability		up to 25%	
Design options			

All measurements in millimetres. All sizes are nominal.

Products may vary from country to country. Please contact your local sales representative.

For further information and legal notice, please visit our website.

knaufceiling solutions.com

General Applications

Flexible Perimeter Trims

Excellent solution for finishing ceilings around columns and convex walls, easily cut and curved by hand on site.

Key features

- Optimum length for most columns with a 2.5 m length
- Easy to cut and to bend to necessary radius
- Available in 2 colours (White and Black)
- 3 ply white PVC tape for a better visual
- Quick fix for columns and curves

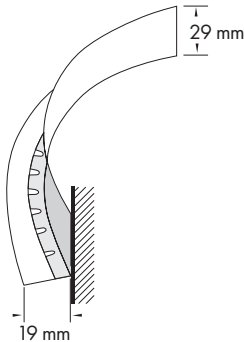
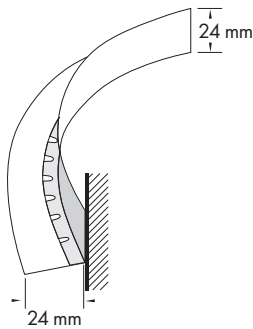
Application areas

- Ceilings around columns and convex walls

Physical data

- Material: steel DX51D + AZ150 – PVC tape
- Coating: PVC
- Colour: available in Global White and Black

■ Perimeter Trims

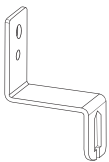


Item reference	Dimensions (mm)		Content/carton		Weight/carton kg	Cartons/ pallet
	Length	Height	pcs	lm		
White*						
CF24W	2500	24	10	25.00	5.50	50
CF19W	2500	29	10	25.00	5.50	50

*see note on page 2

Black						
CF24BK	2500	24	10	25.00	5.50	50
CF19BK	2500	29	10	25.00	5.50	50

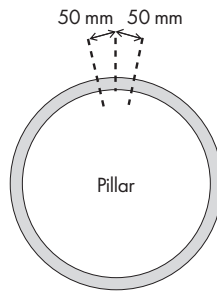
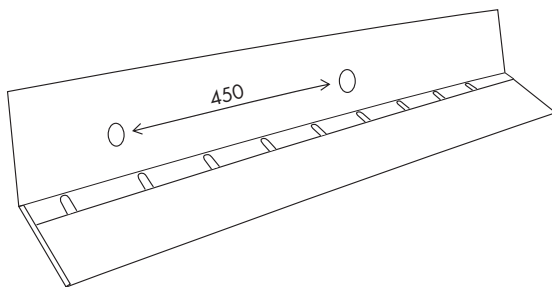
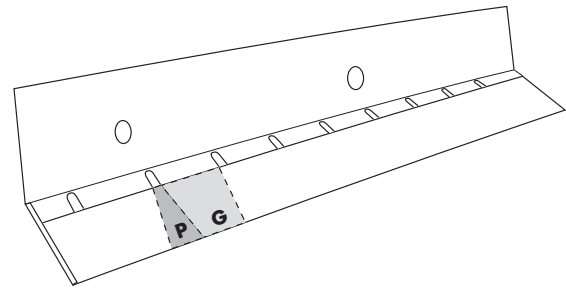
■ Perimeter accessory



Item reference	Description	Dimensions (mm)		Content/carton pcs	Weight/carton kg
		Length	Height		
AWDN23G	Double bent tee bar hanger	57	36	100	2.30

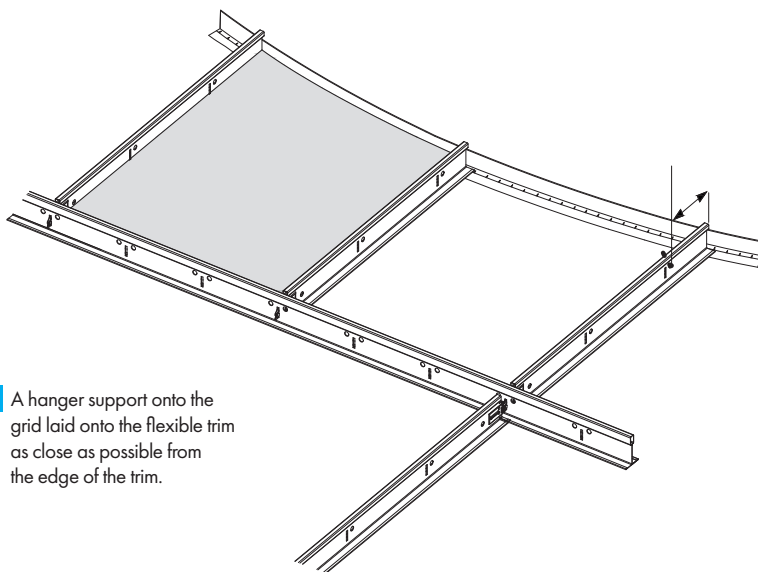
■ **Perimeter Detailing**

1 The Flexible trim has **THREE layers** of PVC coating to avoid the « greyish » visual appearance between the steel supported zone « **G** » and the PVC only zone « **P** ».



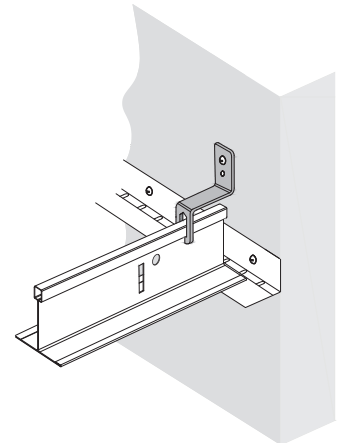
2 The Flexible trim should follow the same rule of being fixed onto the wall with 450 mm spacing.

3 These trims are considered decorative elements therefore any grid laying on them will need :



A A hanger support onto the grid laid onto the flexible trim as close as possible from the edge of the trim.

B Use the accessory AWDN23G to support the load above the trim.

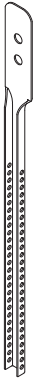

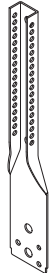
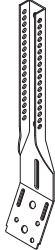


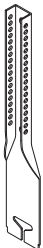


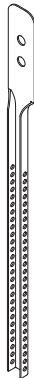
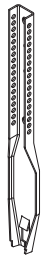

Note:
 These trims can be used only in curved TOE OUT (Convex) installations (19 x 29 section must be installed with the 29 mm face vertical).
 Minimum bending radius: 200 mm.
 Minimum environment temperature during the curving operation: 20°C.
 Due to the nature of the PVC coating, these trims do not match exactly our standard black & white colour and gloss.

General Application




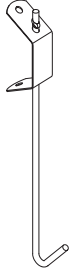
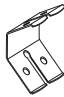

ACCESSORIES DONN


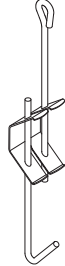
■ Nonius Hangers

Description	Nonius Upper part										Lower part of nonius DX24/DX35	Lower part of nonius flat	Lower part of nonius angled 45°
													
KCS Code	Nr 115	Nr 120	Nr 130	Nr 140	Nr 150	Nr 160	Nr 170	Nr 180	Nr 190	Nr 200	Nr 228	Nr 220	Nr 242
Properties	85 mm	135 mm	235 mm	340 mm	440 mm	540 mm	640 mm	740 mm	840 mm	940 mm	-	-	-
PCS/ Carton	100	100	100	100	100	100	100	100	100	100	100	100	100
Weight / box Kg	2,40	3,30	5,00	7,10	15,50	10,60	12,60	13,60	15,70	16,60	5,70	5,70	6,00

Description	Lower part of Nonius for Espace	Short nonius hanger (upper & lower part)			Connector pin for Nonius	Upper part of Nonius Corrosive resistant Version					Lower part of nonius DX24 Corrosive resistant Version	Connector pin for Nonius Corrosive resistant Version
												
KCS Code	Nr 240	SAH5 40/80	SAH5 60/100	SAH5 80/120	DPK607	Nr 115 KB	Nr 120 KB	Nr 130 KB	Nr 140 KB	Nr 150 KB	Nr 228 KB	DPK KB
Properties	-	40 / 80 mm	102-137mm	130-169mm	-	85mm	135mm	235mm	340mm	440mm	-	-
PCS/ Carton	100	100	100	100	100	50	50	50	50	50	50	100
Weight / box Kg	-	2,20	3,10	2,80	-	2,40	1,70	4,30	3,40	7,75	2,85	1,20

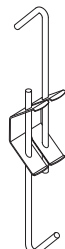
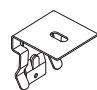
■ Quick hangers

Description	Quick suspension hanger T grid	Quick suspension hanger T grid	Quick hanger bottom for DX-15	Quick hanger bottom 200mm	Butterfly spring	Eye wire						
												
KCS Code	SAH10 plus	Clickfix II	SAH150	SHU200	RSPA / SF1	DoS 125	DoS 250	DoS 375	DoS 500	DoS 750	DoS 1000	
Properties	175 mm	110 mm	-	-	-	125 mm	250 mm	375 mm	500 mm	750 mm	1000 mm	
PCS/ Carton	100	100	100	100	100	100	100	100	100	100	100	
Weight / box Kg	3,20	-	2,6	2,5	1,2	1,30	3,20	4,00	5,70	7,50	9,00	



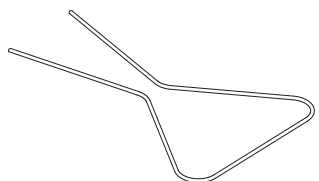



Description	Hook wire						Assembled Quick Hangers Eye/Hook					Straight wire
												
KCS Code	DoH 125	DoH 250	DoH 375	DoH 500	DoH 750	DoH 1000	SoS 10/30	SoS 30/60	SoS 60/100	SoS 100/125	SoS 125/150	DST1
Properties	125 mm	250 mm	375 mm	500 mm	750 mm	1000 mm	100-300 mm	300-600 mm	600-1000 mm	1000-1250 mm	1250-1500 mm	2500 mm
PCS/ Carton	100	100	100	100	100	100	100	100	100	100	100	100
Weight / box Kg	1,30	3,20	4,00	5,70	7,50	10,00	5,70	8,80	12,70	16,60	19,10	29,5

General Application ACCESSORIES DONN

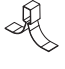

■ Quick hangers

Description	Assembled Quick Hangers Hook / Hook							Clip in hanger			
											
KCS Code	SoH 10/30	SoH 10/30	SoH 60/100	SoH 100/125	SoH 125/150	SoH 150/175	SoH 175/200	GFV50	GFV60	GFV80	GFV100
Properties	100-300 mm	300-600 mm	600-1000 mm	1000-1250 mm	1250-1500 mm	1500-1750 mm	1750-2000 mm	50	60	80	100
PCS/ Carton	100	100	100	100	100	100	100	100	100	100	100
Weight / box Kg	5,70	8,80	12,70	15,00	15,70	19,45	20,80	2,90	2,90	4,70	4,70

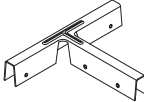
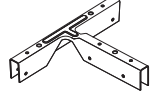
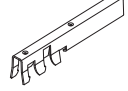
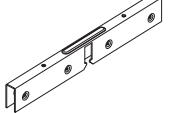
■ Hold Down Clips

Description	Border wedge	HD 5kg	Wire peg 2,5mm	Locking HDC 6-30mm tiles PF/SB	Locking HDC 6-30mm tiles PF/SB Corrosive resistant	Hold Down Clip for 16mm board panels
						
KCS Code	DCC8	DCL1501	EP25	LS202	LS202KB-B	L15
Properties	-	-	-	-	-	-
PCS/ Carton	250	100	100	500	500	100
Weight / box Kg	2,5	2	2,8	2,5	2,5	0,2

■ Hold Down Clips


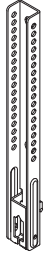


Description	Hold Down Clip for 16mm Stepped panels	Clip for stiffening profile
		
KCS Code	V15	C-VSP
Properties	-	-
PCS/ Carton	100	100
Weight / box Kg	2,90	1,1

■ Bracket Clips


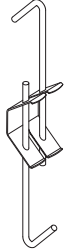
Description	Tbar saddle clip PF/SB	Tbar saddle clip DX24/DP	Connector DX24 H38	Connector DX24 H38
				
KCS Code	DB3	DB4	DB1	DB2
Properties	-	-	-	-
PCS/ Carton	100	100	100	100
Weight / box Kg	4	3,7	2,8	4

General Application ACCESSORIES VENTATEC

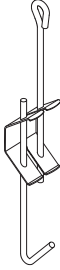

■ Nonius Hangers

Description	Upper part of Nonius					Lower part of nonius DX24/35/F	Lower part of nonius angled 45°	Short nonius SAH5		
										
KCS Code	Nr 115	Nr 120	Nr 130	Nr 140	Nr 150	Nr. 228	Nr 242	SAH5 40/80	SAH5 60/100	SAH5 80/120
Properties	85 mm	135 mm	235 mm	340 mm	440 mm	-	-	40-80 mm	60-100 mm	80-120 mm
PCS/ Carton	100	100	100	100	100	100	100	100	100	100
Weight / box Kg	2,40	3,30	5,00	7,10	15,50	5,70	6,00	2,20	3,10	2,80





■ Direct Hanger / Quick Hanger

Description	Direct hanger	Assembled Quick Hangers Hook/Hook					
							
KCS Code	PS3	SoH/10/30	SoH/30/60	SoH/60/100	SoH/100/125	SoH/125/150	SoH/150/175
Properties	-	100-300 mm	300-600 mm	600-1000 mm	1000-1250 mm	1250-1500 mm	1500-1750 mm
PCS/ Carton	100	100	100	100	100	100	100
Weight / box Kg	4,30	5,70	8,80	12,70	15,00	15,70	19,45

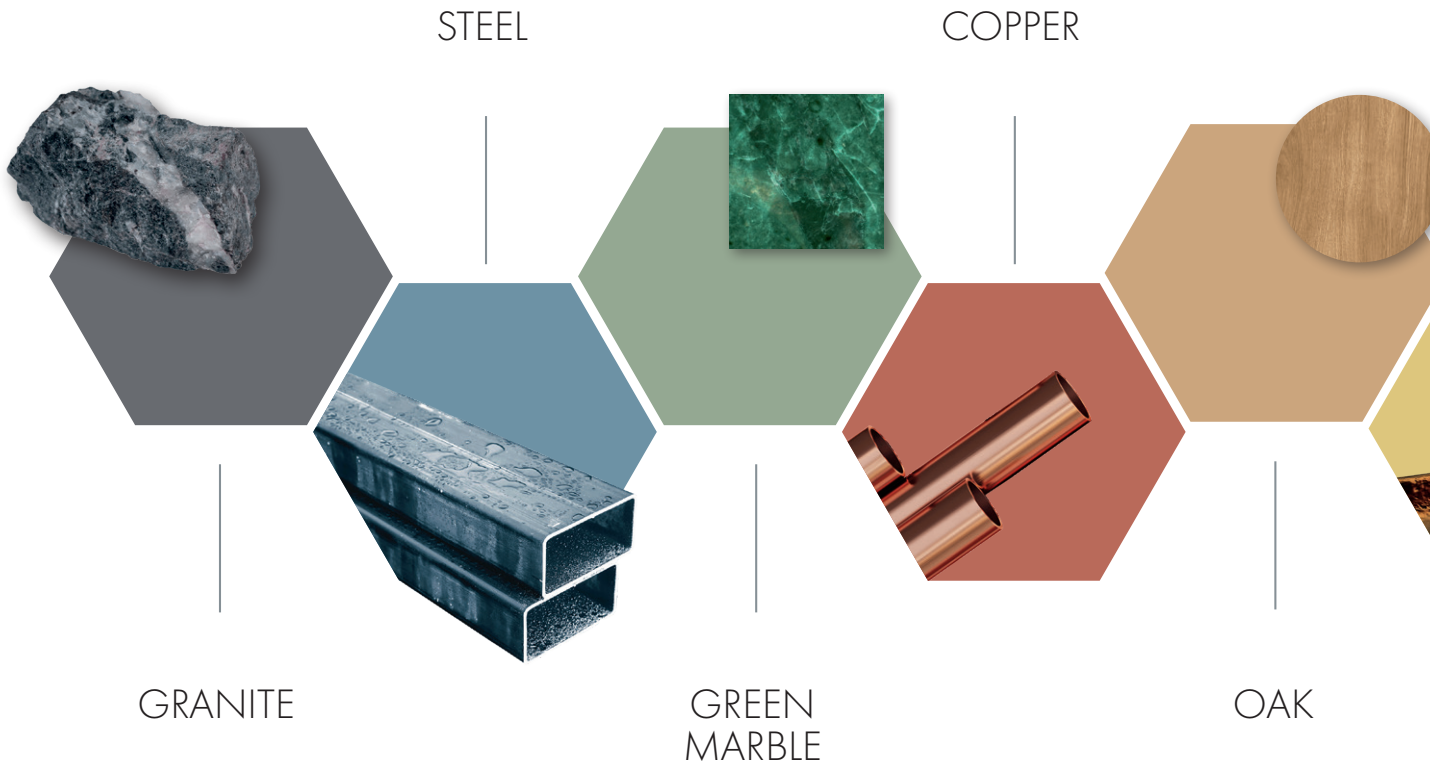
■ Quick Hangers

Description	Assembled Quick Hangers Eye/Hook						Hook wire					
												
KCS Code	SoS 10/30	SoS 30/60	SoS 60/100	SoS 100/125	SoS 125/150	SoS 150-175	DoH 125	DoH 250	DoH 375	DoH 500	DoH 750	DoH 1000
Properties	100-300 mm	300-600 mm	600-1000 mm	1000-1250 mm	1250-1500 mm	1500-1750 mm	125 mm	250 mm	375 mm	500 mm	750 mm	1000 mm
PCS/ Carton	100	100	100	100	100	100	100	100	100	100	100	100
Weight / box Kg	5,70	8,80	12,70	16,60	19,10	21,70	1,30	3,20	4,00	5,70	7,50	10,00

■ Quick Hangers

Description	Eye wire					Butterfly spring	Quick hanger	Quick suspension hanger T grid
								
KCS Code	Dos 125	Dos 250	Dos 375	Dos 500	Dos 750	SF1	SHU100	Clickfix II
Properties	125 mm	250 mm	375 mm	500 mm	750 mm	-	-	-
PCS/ Carton	100	100	100	100	100	100	100	100
Weight / box Kg	1,30	3,20	4,00	5,70	7,50	1,20	2,40	3,20

TRENDSETTING CEILING COLOUR PALETTE



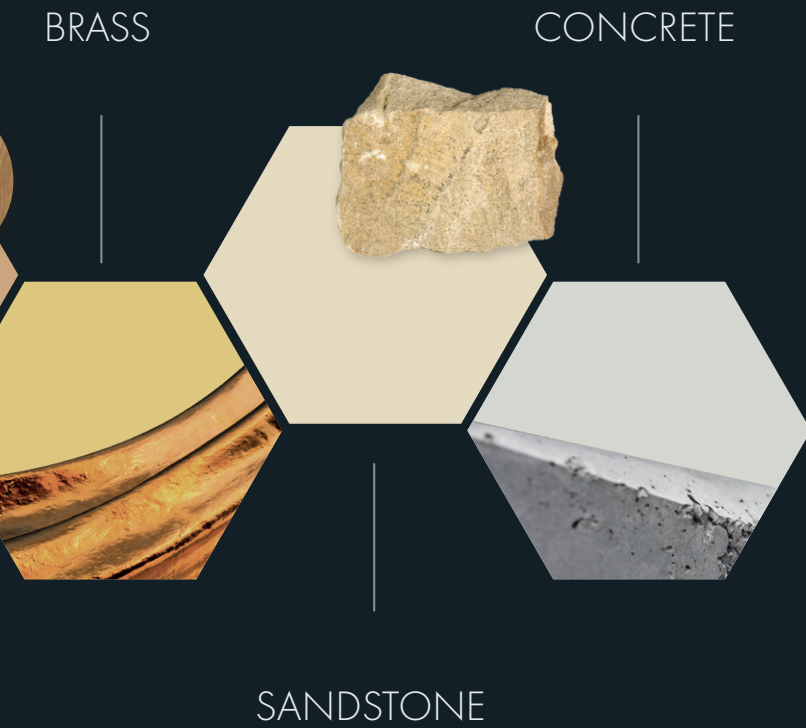
Design to Impact

People feel comfortable and motivated when living and working in pleasing and visually stimulating spaces.

With vibrantly strong and long-lasting colors, architects not only influence a room's design but can inspire and add a new dimension to interiors. Combining aesthetics and high product performance, our acoustic solutions contribute to relaxing, beautiful spaces that help boost our health and well-being.

Our wide range of edge details, shapes, dimensions and colors support architects in creating spaces everyone can enjoy with all of their senses.

By being responsive to the latest design trends, Knauf Ceiling Solutions has composed a new palette of eight vibrant colors and shades that are inspired by elemental influences of well-being and nature.



Granite, steel, green marble, copper, oak, sandstone, brass and concrete, natural elements or refined ones, all carved and revealed in their natural beauty by craftsmanship.

The colours are available across our open plenum mineral, metal and wood wool range, from baffles to canopies to wall absorber solutions, so that designers can create multi-sensory experiences through sound and colour.

GRANITE

STEEL

GREEN MARBLE

COPPER

OAK

BRASS

SANDSTONE

CONCRETE



DEFINITION OF TECHNICAL PERFORMANCE ICONS

CLEANING AND DISINFECTION

The frequency and cleaning methods of the different ceilings vary from one application to another. All ceiling products can at minimum be cleaned with a dry cloth or a vacuum cleaner.



For **standard cleaning** of dust, loose dirt or deposits; a soft brush, a clean, dry, soft white cloth, a normal vacuum cleaner with a soft brush or compressed air can be used.



For more **intensive cleaning**, the surfaces can be wiped with a damp, wrung out cloth or sponge. After cleaning, the surfaces of the ceiling panel should be wiped dry with a soft cloth.



Wet cleaning should be carried out with lukewarm water (up to 40°C), using a sponge and mild detergent or cleaning agent with a pH value of between 7 and 9, and by applying medium pressure. After cleaning, the surface should be dried off with a soft cloth.



Fire Reaction

Reaction to fire classification in accordance with EN 13501-1, expressed as Euroclass (A1 – F).



Indoor Air Quality

Knauf Ceiling Solutions are designed to limit the number of airborne particles in a clean room environment and are tested against ISO 14644-1 and classified with an ISO class.



Clean Room

Products with this icon are suitable for clean room applications.



Colours

Customized colours are available for products with this icon.



Dimensions

Indicates the sizes available for the product of reference.



Recycled Content

The recycled content of the product, as calculated in accordance with ISO 14021.



VOC

The VOC emission performance is in accordance with the French labeling requirements.



Cradle To Cradle CERTIFIED®

Products with this icon are Cradle-to-Cradle CERTIFIED®, providing a transparent mechanism to compare the sustainability performance of products, showing that they are designed for recycling and helping to protect and to sustain our environment for future generations by keeping resources in the economy for a longer period of time.



Environmental Product Declaration (EPD)

These are independently verified and registered documents that communicate transparent and comparable information about the life-cycle and environmental impact of products. Knauf Ceiling Solutions EPDs have been third-party certified by the IBU (Institut Bauen und Umwelt e.V. IBU) thus conforming to the requirements of ISO 14025.

YOUR **CEILING**
OUR **SOLUTIONS**

Knauf Ceilings Solutions GmbH & Co. KG

Elsenthal 15,
94481 Grafenau, Germany
Phone: +49 8552 422-0
Fax: +49 9323 318-881-856
www.knaufceilingsolutions.com
E-Mail: info.kcs@knauf.com

Registered court: Passau district court,
Registration No.: HRB 1023
VAT No. pursuant to § 27a of the German VAT Act
(Umsatzsteuergesetz): DE131249009
Managing Director:
Karl Wenig