

Exposed 15 mm grid system - System C

**Key features**

- Stable and secure with a finer, more elegant appearance with 15 mm visible profiles
- High loading capacity due to 38 mm high Main Runners and Cross Tees
- The combination of stitching and ribbing delivers excellent stability and torsional strength
- The riveted stainless steel Click-connector audibly clicks in place and can be easily removed when required
- Butt cut Cross Tee system preferred for precise flush connection of the grid face

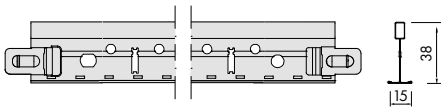
**Application areas**

- Healthcare / Classrooms / Meeting rooms / Individual offices

**Physical data**

- Material: galvanised steel
- Surface finish: baked polyester paint
- Colour: AMF VENTATEC® White; Matt Black (LM) on request

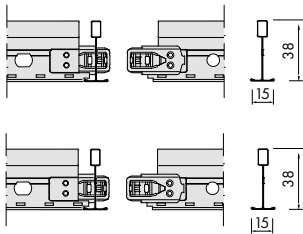
■ **AMF VENTATEC® Performance T15 - High | Universal Main Runners (bulb-to-bulb connection)**



Item reference	Dimensions (mm)				Content/carton		Weight/carton kg	Cartons/pallet
	Length	Width	Height	Slot centres	pcs	lm		
VEN15TH375W	3750	15	38	156.25	20	75.00	21.00	42
VEN15TH360W	3600	15	38	150	20	72.00	20.20	42

Available in Matt Black (LM) for an additional charge. Special colours on request.

■ **AMF VENTATEC® Performance T15 - High | Cross Tees (click - butt cut SG)**



Cross Tees - Slotted								
VEN15TH125SGW	1250	15	38	312.5	60	75.00	21.00	90
VEN15TH120SGW	1200	15	38	300	60	72.00	20.20	90
VEN15TH62,5SGW	625	15	38	312.5	60	37.50	10.50	140
VEN15TH60SGW	600	15	38	300	60	36.00	10.10	140

Available in Matt Black (LM) for an additional charge. Special colours on request.

Cross Tees - Unslotted								
VEN15TH30SGW	300	15	38	-	120	36.00	10.10	140

Available in Matt Black (LM) for an additional charge. Special colours on request.

**Section Drawings**

■ **AMF VENTATEC® Performance T15 - High | Universal Main Runners (bulb-to-bulb connection)**

Length	78.125	156.25	21 x 156.25	156.25	78.125
3750					
3600	75	150	21 x 150	150	75

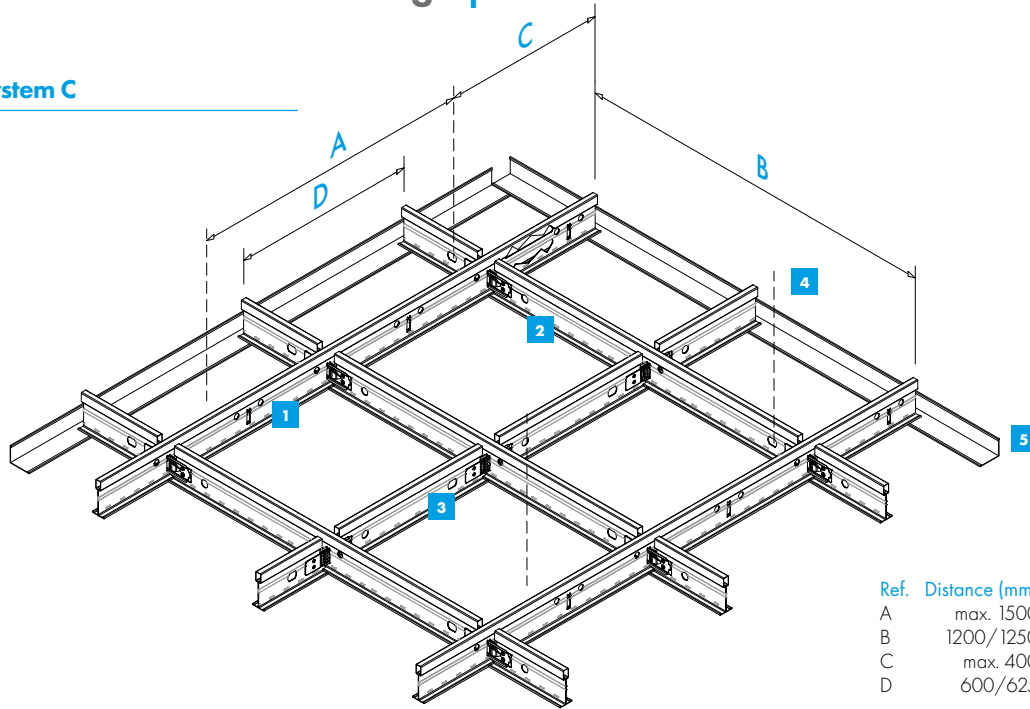
■ **AMF VENTATEC® Performance T15 - High | Cross Tees (click - butt cut SG)**

Length	312.5	2 x 312.5	312.5
1250			
1200	300	2 x 300	300

Length	312.5	312.5
625		
600	300	300

Length	300

System Drawing - System C



Ref.	Distance (mm)
A	max. 1500
B	1200/1250
C	max. 400
D	600/625

■ Material required per m<sup>2</sup> (no waste included)

No.	Description	Item reference	Module 600 x 600	Module 625 x 625	Module 1200 x 600	Module 1250 x 625
1	Main Runner	VEN 15TH360W VEN 15TH375W	0.84 lm -	- 0.80 lm	0.84 lm -	- 0.80 lm
2	Long Cross Tee	VEN 15TH120SGW VEN 15TH125SGW	1.67 lm -	- 1.60 lm	1.67 lm -	- 1.60 lm
3	Short Cross Tee	VEN 15TH60SGW VEN 15TH62,5SGW	0.84 lm -	- 0.80 lm	- -	- -
4	Hanger	-	0.70 pcs	0.64 pcs	0.70 pcs	0.64 pcs
	Retaining Clip	-	5.56 pcs	5.56 pcs	5.56 pcs	5.56 pcs
	Tiles	-	2.78 pcs	2.56 pcs	1.39 pcs	1.28 pcs
5	Perimeter Trim	-	Dependent on room dimensions (approx. 0.6 lm/m <sup>2</sup> )			

■ Load Table | Maximum permissible weight (kg/m<sup>2</sup>)

Main Runner distances	1200 mm	1250 mm	600 mm	625 mm
Hanger distance A (mm)	Module 600x600, 1200x600	Module 625x625, 1250x625	Module 600x600, 1200x600	Module 625x625, 1250x625
800	12.2	10.8	25.0	25.0
1000	10.4	9.4	25.0	24.2
1200	8.5	7.8	15.4	14.8
1500	5.4	5.2	8.0	7.7

Note:  
The load per m<sup>2</sup> must be evenly distributed (no extra point loads).  
After loading, the deflection will remain within the permitted deflection according to class 1 (L/500) of EN 13964, provided the grid is laid out as shown.

For other grid layouts, load capacities or hanger distances, please contact Knauf Ceiling Solutions.

<b>Fire reaction</b>		<b>Euroclass A1</b> as per EN 13501-1	<b>RUS KMO (NG) / KM1 (G1, V1, D1, T1)</b> as per 123-FZ
<b>Indoor air quality</b>	 A+	 ISO 3	
<b>Cleanability</b>			
<b>Sustainability</b>	 25%		
<b>Design options</b>			

All measurements in millimetres. All sizes are nominal.  
Cross Tee alignment is achieved by locating the tees to the left-hand side of the adjoining section.

Products may vary from country to country. Please contact your local sales representative.  
For further information and legal notice, please visit our website.  
[knaufceilingssolutions.com](http://knaufceilingssolutions.com)